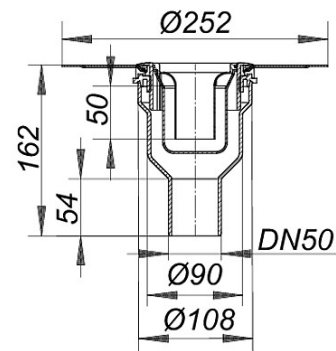


19. March 2012

shower drain ORIO V N, DN 50

Product Number: **160225**
 EAN: 4001636160225
 Discount group: 5



Specification clause

for one-piece stone shower trays
 outlet: DN 50 vertical
 with: stainless steel reinforcing plate
 trap insert
 assembly key
 temporary blanking plate
 material: polypropylene

Product No.	Description	Dimensions
515032	fire and sound-insulating collar - installation kit 3, DN 50	