

Architectural Expansion Joint Systems

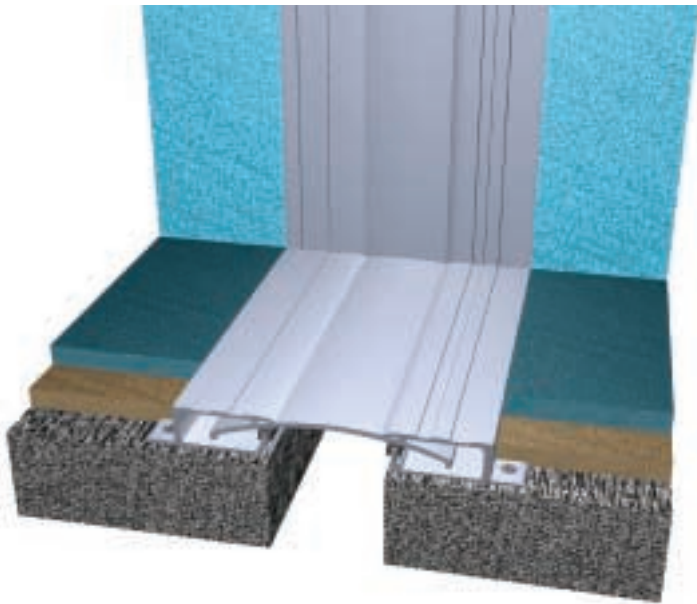
REACT 300



React 300 Series

"No Bump" Multipurpose Floor Systems

Joint Widths 25mm to 200mm

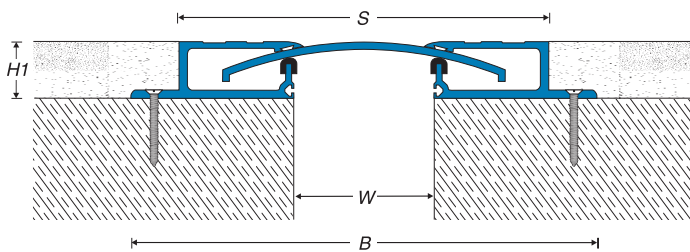


- All metal system for full seismic movement
- Fully integrated with matching floor, wall and ceiling profiles
- Exclusive patented 'no bump' configuration - fully ADA compliant
- Patent No: 5384996 applies
- Gasketed to eliminate transition rattle
- Designed for use in floor finishes
- Load Rated

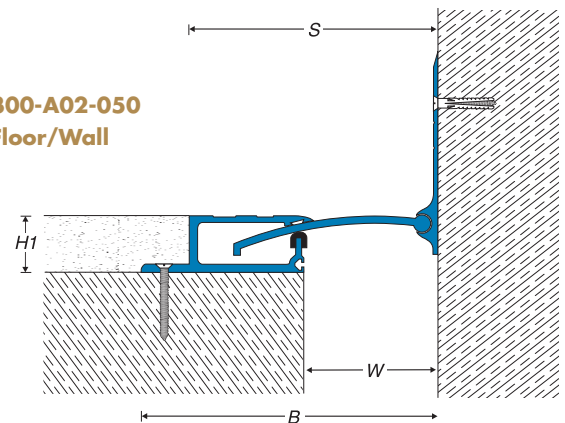
OPTIONS Vapour Barrier.
Fire Rated

Separate installation datasheet available

300-A01-050
Floor/Floor



300-A02-050
Floor/Wall



Application	Style	W Width mm	H1 Height mm	H2 Height mm	S Sightline mm	B Blockout mm	Movement ±		Load Rating kN
							Horizontal mm	Vertical mm	
Floor/Floor	300-A01-025	25	25/38/50	-	81	141	13	6	35
	300-A01-050	50	25/38/50	-	131	191	25	13	25
	300-A01-075	75	25/38/50	-	181	241	38	19	15
	300-A01-100	100	25/38/50	-	231	291	50	25	HP
	300-A01-150	150	25/38/50	-	331	391	75	38	HP
	300-A01-200	200	25/38/50	-	431	491	100	50	HP
Floor/Wall	300-A02-025	25	25/38/50	-	53	83	6	3	-
	300-A02-050	50	25/38/50	-	91	121	13	6	-
	300-A02-075	75	25/38/50	-	128	158	19	10	-
	300-A02-100	100	25/38/50	-	166	196	25	13	-
	300-A02-150	150	25/38/50	-	241	271	38	19	-
	300-A02-200	200	25/38/50	-	136	346	50	25	-

React 300 Series

"No Bump" Multipurpose Wall Systems

Joint Widths 25mm to 200mm



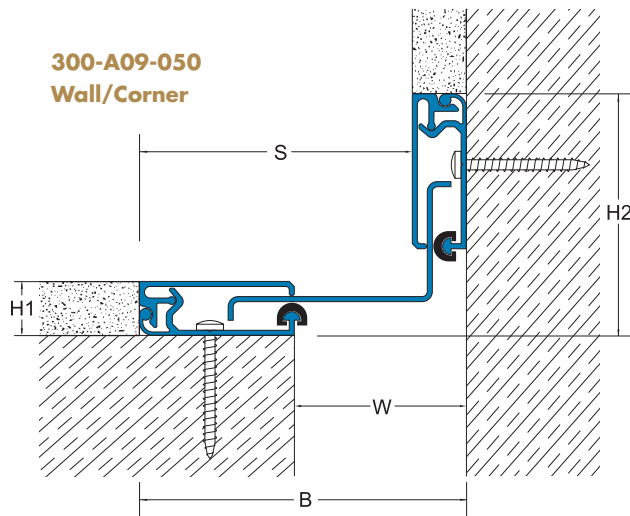
300-A09-050

- All metal system for full seismic movement
- Fully integrated with matching floor, wall and ceiling profiles
- Patent No: 5384996 applies
- Designed for use in wall and ceiling finishes
- No surface fixings - snap and lock together design
- When used externally, a seam of sealant 3mm wide should be formed between the joint and abutting substrate

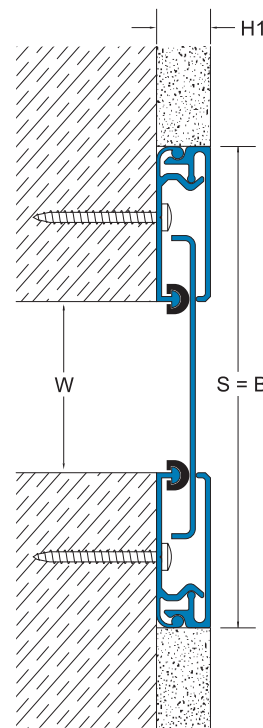
OPTIONS

Fire Rated

Separate installation datasheet available



300-A09-050
Wall/Corner



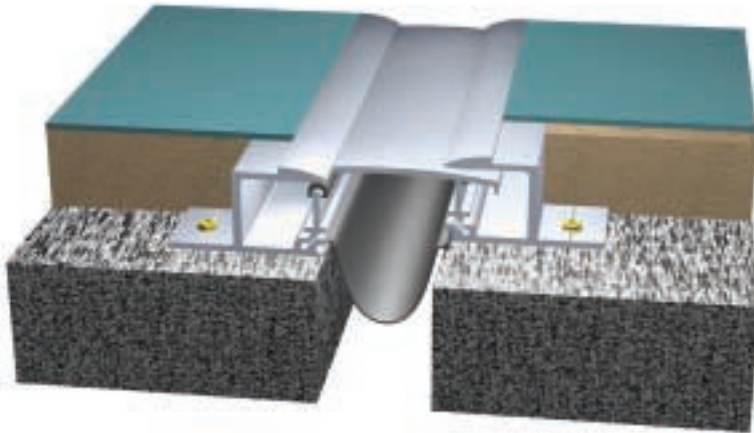
300-A07-050
Wall/Wall

Application	Style	W Width mm	H1 Height mm	H2 Height mm	S Sightline mm	B Blockout mm	Movement ±	
							Horizontal mm	Vertical mm
Wall/Wall	300-A07-025	25	16	-	117	117	13	-
	300-A07-050	50	16	-	143	143	25	-
	300-A07-075	75	16	-	196	196	38	-
	300-A07-100	100	16	-	246	246	50	-
	300-A07-150	150	16	-	346	346	75	-
	300-A07-200	200	16	-	447	447	100	-
Wall/Corner	300-A09-025	25	16	72	55	71	6	13
	300-A09-050	50	16	72	81	97	13	13
	300-A09-075	75	16	72	120	136	19	13
	300-A09-100	100	16	72	158	174	25	13
	300-A09-150	150	16	72	233	249	38	13
	300-A09-200	200	16	72	309	325	50	13

React 300 Series

"No Bump" Seismic System for Vinyl Floors

Joint Widths 25mm to 200mm



- Specially designed for vinyl floor finishes
- Accommodates full seismic movement
- Exclusive patented "no-bump" configuration. Patent No: 5384996
- Fully gasketed to eliminate transition rattle
- Reduced sight line
- Load rated
- Additional patents pending

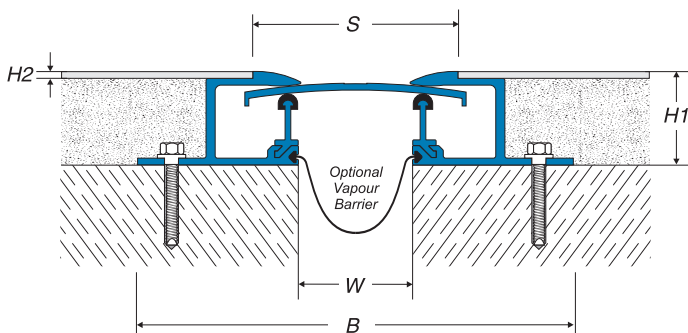
OPTIONS

Vapour Barrier.

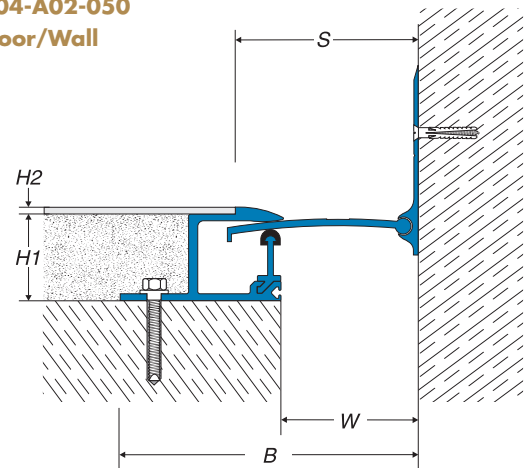
Fire Rated.

Separate installation datasheet available

304-A01-050
Floor/Floor



304-A02-050
Floor/Wall

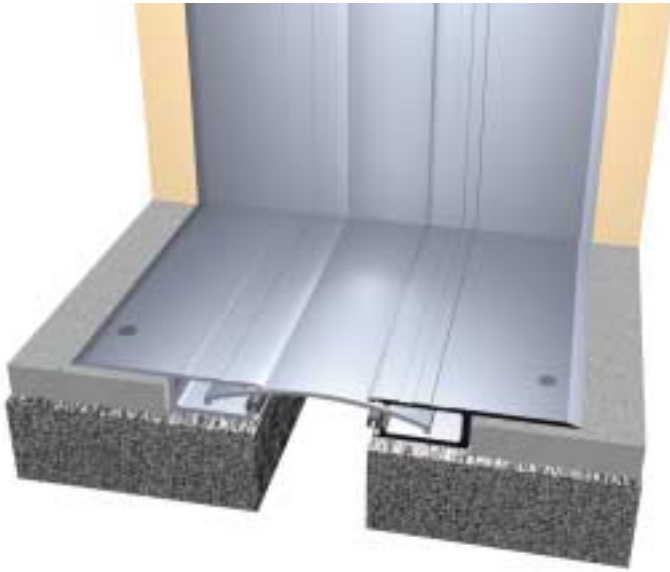


Application	Style	W Width mm	H1 Height mm	H2 Height mm	S Sightline mm	B Blockout mm	Movement ±		Load Rating kN
							Horizontal mm	Vertical mm	
Floor/Floor	304-A01-025	25	25/38/50	3	65	141	13	6	35
	304-A01-050	50	25/38/50	3	90	191	25	13	25
	304-A01-075	75	25/38/50	3	115	241	38	19	15
	304-A01-100	100	25/38/50	3	140	291	50	25	HP
	304-A01-150	150	25/38/50	3	190	391	75	38	HP
	304-A01-200	200	25/38/50	3	240	491	100	50	HP
Floor/Wall	304-A02-025	25	25/38/50	3	45	83	6	3	-
	304-A02-050	50	25/38/50	3	70	121	13	6	-
	304-A02-075	75	25/38/50	3	95	158	19	10	-
	304-A02-100	100	25/38/50	3	120	196	25	13	-
	304-A02-150	150	25/38/50	3	145	271	38	19	-
	304-A02-200	200	25/38/50	3	220	346	50	25	-

React 300 Series

"No Bump" Surface Mounted Seismic Floor System

Joint Widths 25mm to 200mm



- Surface mount system ideal for retrofit application
- All metal system for full seismic movement
- Exclusive patented "no-bump" configuration, ADA compliant. Patent No: 5384996
- Fully gasketed to eliminate transition rattle
- Load rated
- Additional patents pending

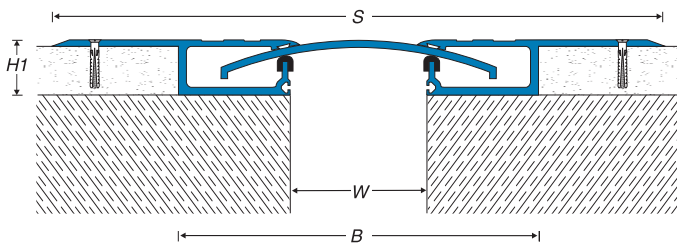
OPTIONS

Vapour Barrier

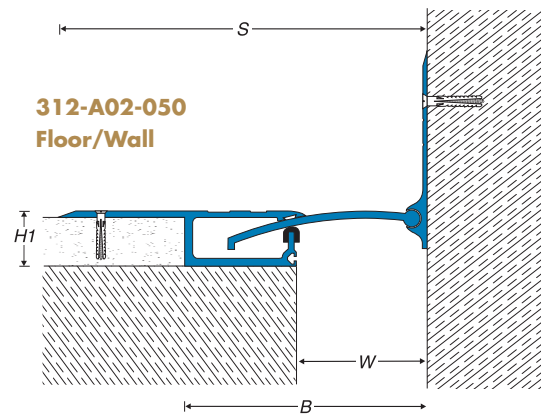
Fire Rated

Separate installation datasheet available

312-A01-050
Floor/Floor



312-A02-050
Floor/Wall



Application	Style	W Width mm	H1 Height mm	H2 Height mm	S Sightline mm	B Blockout mm	Movement ±		Load Rating kN
							Horizontal mm	Vertical mm	
Floor/Floor	312-A01-025	25	25/38/50	-	206	-	13	6	35
	312-A01-050	50	25/38/50	-	257	-	25	13	25
	312-A01-075	75	25/38/50	-	307	-	38	19	15
	312-A01-100	100	25/38/50	-	358	-	50	25	HP
	312-A01-150	150	25/38/50	-	458	-	75	38	HP
	312-A01-200	200	25/38/50	-	559	-	100	50	HP
Floor/Wall	312-A02-025	25	25/38/50	-	116	-	6	3	-
	312-A02-050	50	25/38/50	-	154	-	13	6	-
	312-A02-075	75	25/38/50	-	192	-	19	10	-
	312-A02-100	100	25/38/50	-	230	-	25	13	-
	312-A02-150	150	25/38/50	-	305	-	38	19	-
	312-A02-200	200	25/38/50	-	381	-	50	25	-

React 300 Series

Single Sightline Seismic Carpet System

Joint Widths 50mm to 150mm

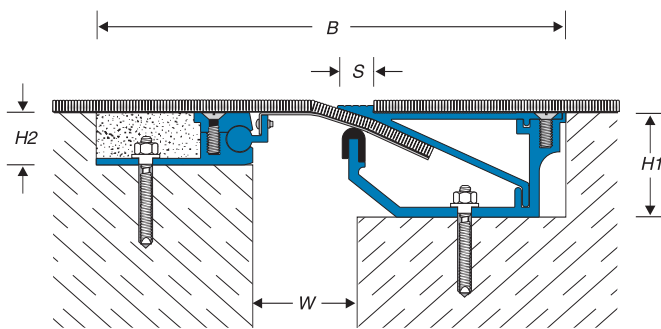


- Specially designed for carpeted floors
- Elegant system preferred by interior designers
- Stainless steel leaf spring positions carpet accurately
- Discrete, narrow single sightline dramatically reduces visibility
- ADA compliant
- Rated for High Pedestrian loads

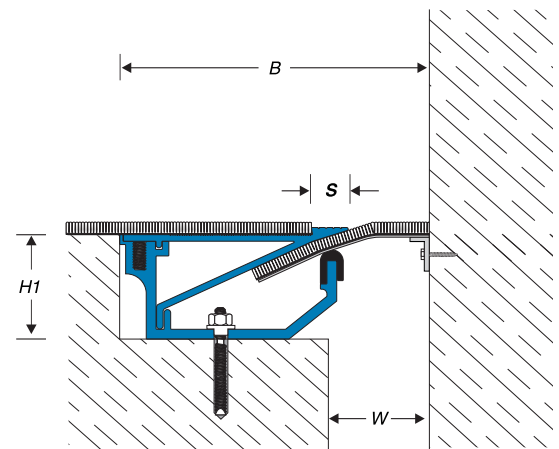
OPTIONS

Custom Finishes
Fire Rated

Separate installation datasheet available



316-A01-050 Floor/Floor



316-A02-050 Floor/Wall

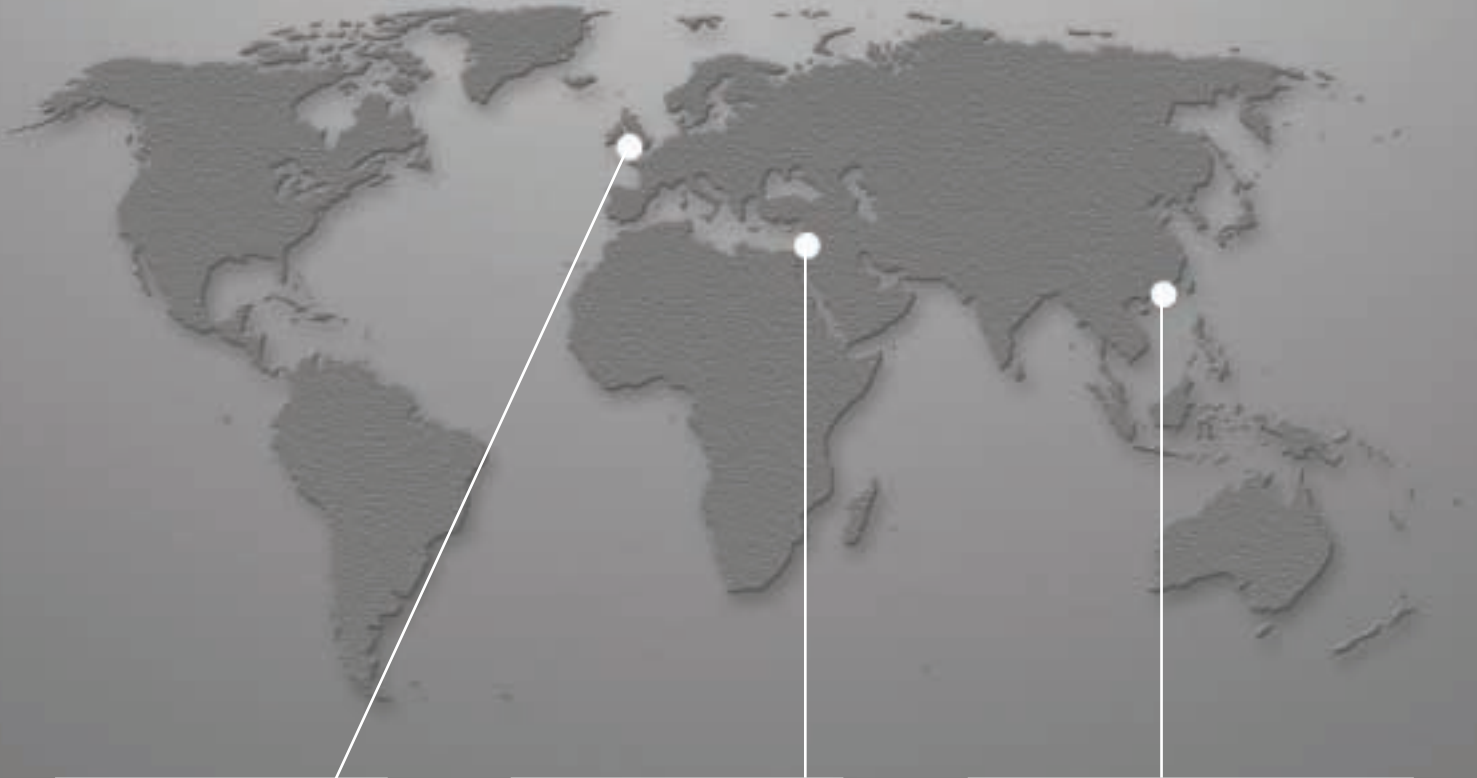
Application	Style	W	H1	H2	S	B	Movement ±		Load
		Width	Height 1	Height 2	Sightline	Blockout	Horizontal	Vertical	
		mm	mm	mm	mm	mm	mm	mm	kN
Floor/Floor	316-A01-050	50	50	25	20	238	25	25	HP
	316-A01-075	75	50	25	20	263	38	38	HP
	316-A01-100	100	50	25	20	288	50	50	HP
	316-A01-150	150	50	25	20	400	75	75	HP
Floor/Wall	316-A02-050	50	50	25	20	163	12	12	HP
	316-A02-075	75	50	25	20	188	20	20	HP
	316-A02-100	100	50	25	20	213	25	25	HP
	316-A02-150	150	50	25	20	325	38	38	HP

Shear movement - unlimited. Contact factory for alternate combinations.

Products listed offer ±50% movement rating. Contact factory for ±100%.



VEXCOLT



Vexcolt Europe

Summer House,
Summer Way,
Exeter,
England EX4 8JD

Tel: ++44 (0)1392 467567
Fax: ++44 (0)1392 467705
e-mail: info@vexcolt.com

Vexcolt Middle East

Sabah Building,
Memari Street,
Beirut,
Lebanon

Tel: ++961 1 738725
Fax: ++961 1 738731
e-mail: info@vexcoltme.com

Vexcolt Asia

Room E,
7th Floor Gold King Industrial Building,
35-41 Tai Lin Pai Road,
Kwai Chung,
N.T. Hong Kong

Tel: ++852 2420 2380
Fax: ++852 2420 2396
e-mail: info@vexcoltasia.com



© Vexcolt 2002 Issue date: 06/02

Vexcolt reserves the right to revise designs and specifications without notice. Information given in this booklet is correct to the best of our knowledge, but architects and specifiers must satisfy themselves as to the suitability of any particular product, specification or design detail for a specific application.

Acknowledgement: We would like to thank Sir Norman Foster and Partners for supplying and allowing us to use a picture of Chep Lap Airport, Hong Kong for the cover of this booklet.