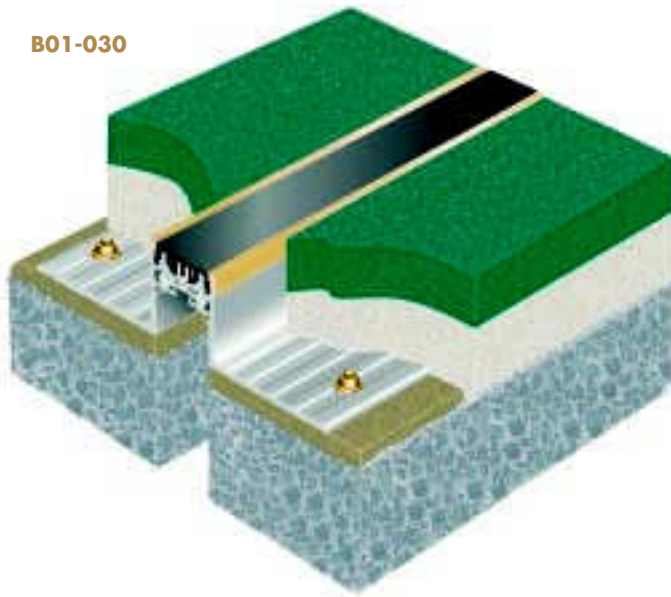


# React 100 Series

Recessed Modular Floor Systems with Stainless Steel and Brass Cappings

Joint Widths 25mm to 75mm

**B01-030**

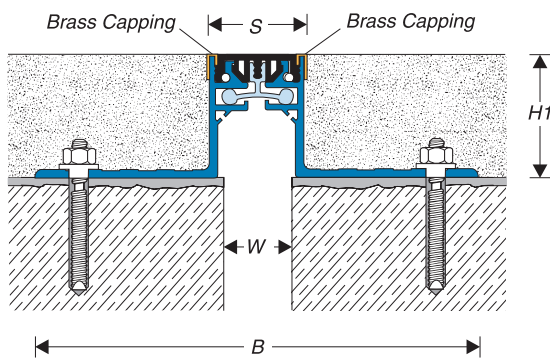


- S01 Series have 316 grade Stainless Steel cappings
- B01 Series have CZ121 grade Brass cappings
- Fully integrated ranges for floors, walls and ceilings
- Easy to clean flush seals with no dirt traps
- Snap-fit design for easy onsite assembly
- Load rated

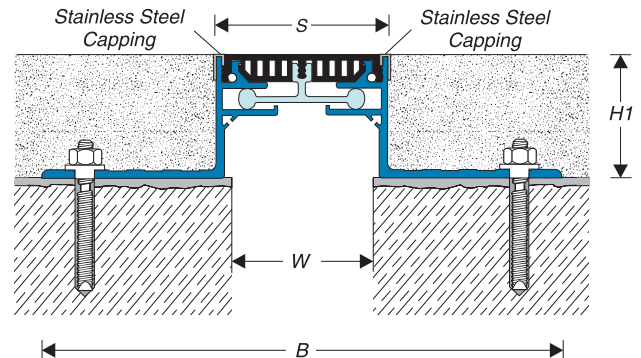
**OPTIONS** Vapour barrier  
Fire Rated

**Separate installation datasheet available**

**100-B01-030**



**100-S01-050**



| Application | Style           | W<br>Width<br>mm | H1<br>Height 1<br>mm | H2<br>Height 2<br>mm | S<br>Sightline<br>mm | B<br>Blockout<br>mm | Movement ±       |                | Load<br>Rating<br>kN |
|-------------|-----------------|------------------|----------------------|----------------------|----------------------|---------------------|------------------|----------------|----------------------|
|             |                 |                  |                      |                      |                      |                     | Horizontal<br>mm | Vertical<br>mm |                      |
| Floor/Floor | 100-S01/B01-030 | 30               | 26,36,51,71          | -                    | 41                   | 185                 | 5                | 5              | 35                   |
|             | 100-S01/B01-050 | 50               | 26,36,51,71          | -                    | 72                   | 216                 | 10               | 10             | 35                   |
|             | 100-S01/B01-075 | 75               | 26,36,51,71          | -                    | 94                   | 238                 | 15               | 15             | 25                   |
| Floor/Wall  | 100-S02/B02-030 | 30               | 26,36,51,71          | -                    | 41                   | 113                 | 5                | 5              | 35                   |
|             | 100-S02/B02-050 | 50               | 26,36,51,71          | -                    | 72                   | 144                 | 10               | 10             | 35                   |
|             | 100-S02/B02-075 | 75               | 26,36,51,71          | -                    | 94                   | 166                 | 15               | 15             | 25                   |
| Floor/Wall  | 100-S03/B03-030 | 30               | 26,36,51,71          | 10                   | 38                   | 120                 | 5                | 5              | 35                   |
|             | 100-S03/B03-050 | 50               | 26,36,51,71          | 10                   | 69                   | 151                 | 10               | 10             | 35                   |
|             | 100-S03/B03-075 | 75               | 26,36,51,71          | 10                   | 91                   | 173                 | 15               | 15             | 25                   |
| Floor/Wall  | 100-S04/B04-030 | 30               | 26,36,51,71          | 15                   | 38                   | 125                 | 5                | 5              | 35                   |
|             | 100-S04/B04-050 | 50               | 26,36,51,71          | 15                   | 69                   | 156                 | 10               | 10             | 35                   |
|             | 100-S04/B04-075 | 75               | 26,36,51,71          | 15                   | 91                   | 178                 | 15               | 15             | 25                   |
| Floor/Wall  | 100-S05/B05-030 | 30               | 26,36,51,71          | 25                   | 38                   | 135                 | 5                | 5              | 35                   |
|             | 100-S05/B05-050 | 50               | 26,36,51,71          | 25                   | 69                   | 166                 | 10               | 10             | 35                   |
|             | 100-S05/B05-075 | 75               | 26,36,51,71          | 25                   | 91                   | 188                 | 15               | 15             | 25                   |