

Architectural Expansion Joint Systems

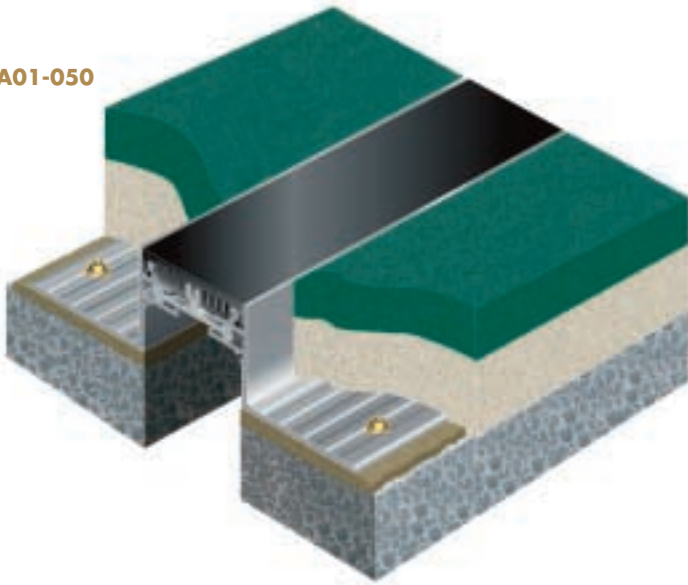
REACT 100/200



React 100 Series

Recessed Modular Floor System with Coloured Seals
Joint Widths 25mm to 75mm

A01-050

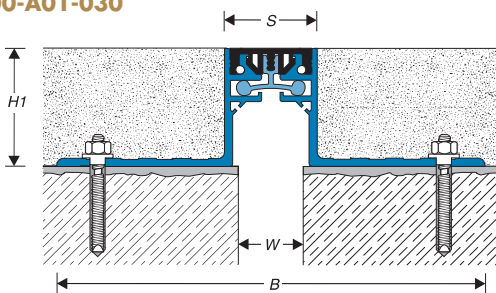


- Ideal combination with ceramic tile, marble, stone, vinyl tile and carpet finishes
- Fully integrated seamless floor, wall and ceiling system
- Easy to clean flush seals with no dirt traps
- Snap-fit design for easy onsite assembly
- Mill finish aluminium
- Load rated

OPTIONS Vapour barrier
Fire Rated

Separate installation datasheet available

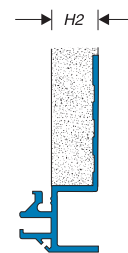
100-A01-030



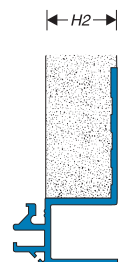
100-A03-030



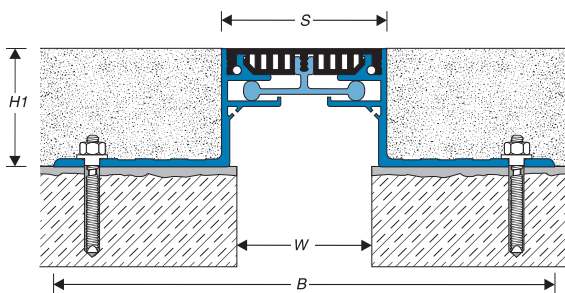
100-A04-030



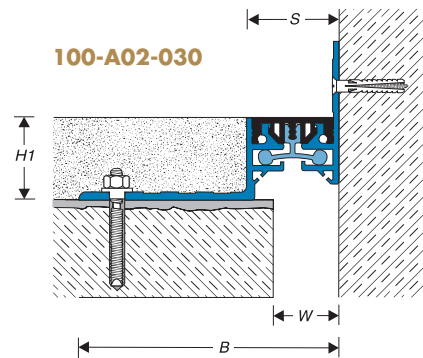
100-A05-030



100-A01-050



100-A02-030



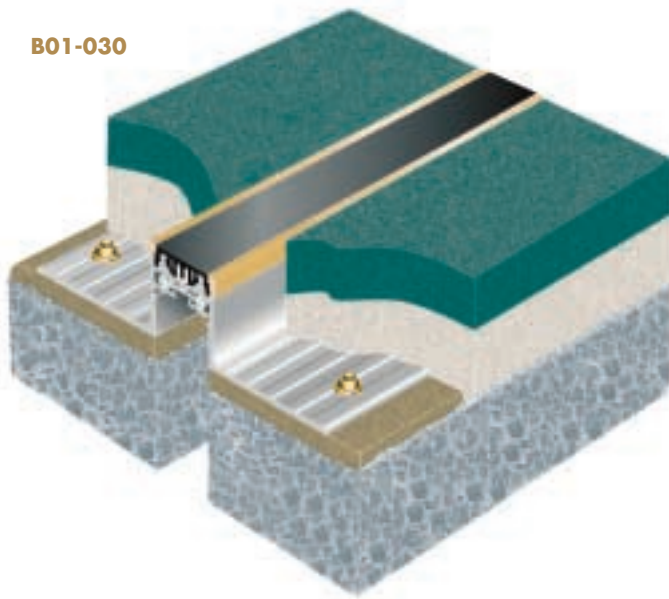
Application	Style	W	H1	H2	S	B	Movement ±		Load
		Width mm	Height 1 mm	Height 2 mm	Sightline mm	Blockout mm	Horizontal mm	Vertical mm	
Floor/Floor	100-A01-030	30	25,35,50,70	-	40	185	5	5	35
	100-A01-050	50	25,35,50,70	-	71	216	10	10	35
	100-A01-075	75	25,35,50,70	-	93	238	15	15	25
Floor/Wall	100-A02-030	30	25,35,50,70	-	40	113	5	5	35
	100-A02-050	50	25,35,50,70	-	71	144	10	10	35
	100-A02-075	75	25,35,50,70	-	93	166	15	15	25
	100-A03-030	30	25,35,50,70	10	37	120	5	5	35
	100-A03-050	50	25,35,50,70	10	68	151	10	10	35
	100-A03-075	75	25,35,50,70	10	90	173	15	15	25
	100-A04-030	30	25,35,50,70	15	37	125	5	5	35
	100-A04-050	50	25,35,50,70	15	68	156	10	10	35
	100-A04-075	75	25,35,50,70	15	90	178	15	15	25
	100-A05-030	30	25,35,50,70	25	37	135	5	5	35
	100-A05-050	50	25,35,50,70	25	68	166	10	10	35
	100-A05-075	75	25,35,50,70	25	90	188	15	15	25

React 100 Series

Recessed Modular Floor Systems with Stainless Steel and Brass Cappings

Joint Widths 25mm to 75mm

B01-030

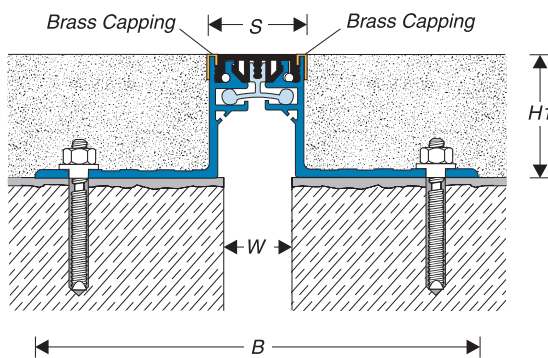


- S01 Series have 316 grade Stainless Steel cappings
- B01 Series have CZ121 grade Brass cappings
- Fully integrated ranges for floors, walls and ceilings
- Easy to clean flush seals with no dirt traps
- Snap-fit design for easy onsite assembly
- Load rated

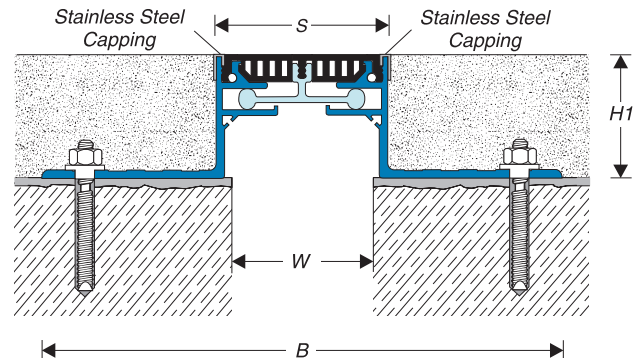
OPTIONS Vapour barrier
Fire Rated

Separate installation datasheet available

100-B01-030



100-S01-050

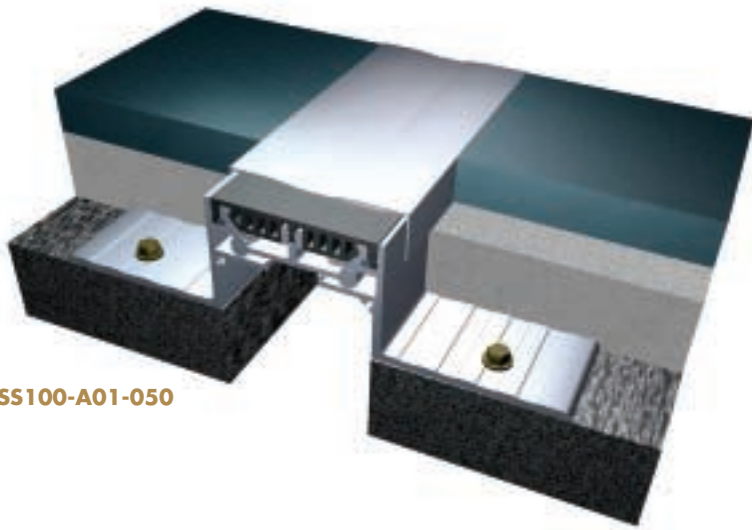


Application	Style	W Width mm	H1 Height 1 mm	H2 Height 2 mm	S Sightline mm	B Blockout mm	Movement ±		Load Rating kN
							Horizontal mm	Vertical mm	
Floor/Floor	100-S01/B01-030	30	26,36,51,71	-	41	185	5	5	35
	100-S01/B01-050	50	26,36,51,71	-	72	216	10	10	35
	100-S01/B01-075	75	26,36,51,71	-	94	238	15	15	25
Floor/Wall	100-S02/B02-030	30	26,36,51,71	-	41	113	5	5	35
	100-S02/B02-050	50	26,36,51,71	-	72	144	10	10	35
	100-S02/B02-075	75	26,36,51,71	-	94	166	15	15	25
Floor/Wall	100-S03/B03-030	30	26,36,51,71	10	38	120	5	5	35
	100-S03/B03-050	50	26,36,51,71	10	69	151	10	10	35
	100-S03/B03-075	75	26,36,51,71	10	91	173	15	15	25
Floor/Wall	100-S04/B04-030	30	26,36,51,71	15	38	125	5	5	35
	100-S04/B04-050	50	26,36,51,71	15	69	156	10	10	35
	100-S04/B04-075	75	26,36,51,71	15	91	178	15	15	25
Floor/Wall	100-S05/B05-030	30	26,36,51,71	25	38	135	5	5	35
	100-S05/B05-050	50	26,36,51,71	25	69	166	10	10	35
	100-S05/B05-075	75	26,36,51,71	25	91	188	15	15	25

React 100 Series

Recessed Modular Floor System with Stainless Steel or Brass Covers

Joint Widths 25mm to 75mm



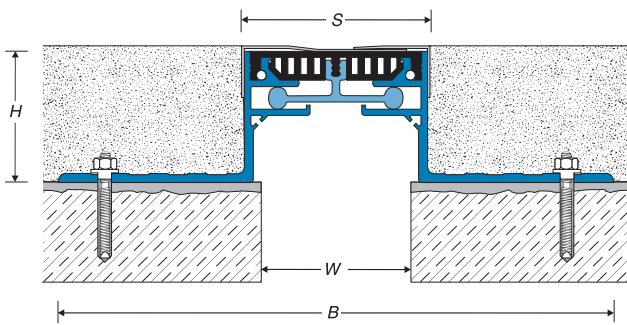
SS100-A01-050

- Designed for use in areas with higher levels of impact and abrasion.
- Interleaved stainless steel or brass covers
- Ideal combination with ceramic tile, marble, stone, vinyl tile and carpet finishes.
- Fully integrated seamless floor and wall system.
- Snap-fit design for easy onsite assembly.
- Mill finish aluminum supports.
- Load rated

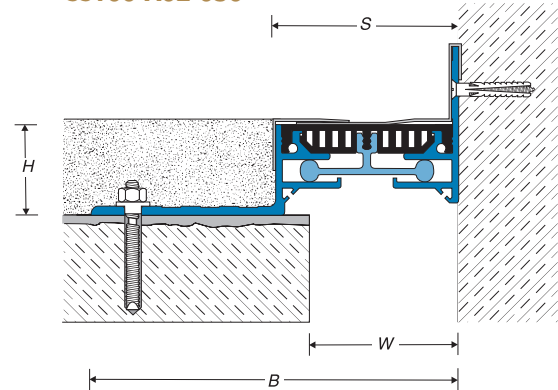
OPTIONS Vapour barrier
Fire Rated

Separate installation datasheet available

SS100-A01-050



SS100-A02-050



Application	Style	W	H1	H2	S	B	Movement ±		Load kN
		Width mm	Height 1 mm	Height 2 mm	Sightline mm	Blockout mm	Horizontal mm	Vertical mm	
Floor/Floor	SS/BB100-A01-030	30	29,39,54,74	-	44	185	5	5	35
	SS/BB100-A01-050	50	29,39,54,74	-	75	216	10	10	35
	SS/BB100-A01-075	75	29,39,54,74	-	97	238	15	15	25
Floor/Wall	SS/BB100-A02-030	30	29,39,54,74	-	45	113	5	5	35
	SS/BB100-A02-050	50	29,39,54,74	-	75	144	10	10	35
	SS/BB100-A02-075	75	29,39,54,74	-	97	166	15	15	25

Joints prefixed by SS have Stainless Steel cover plates
Joints prefixed by BB have Brass cover plates

React 100 Series

Recessed Modular Wall System with Coloured Seals

Joint Widths 25mm to 75mm

- Fully integrated wall to wall and corner wall systems
- Easy to clean flush seals with no dirt traps
- Snap-fit design for easy onsite assembly
- Mill finish aluminium

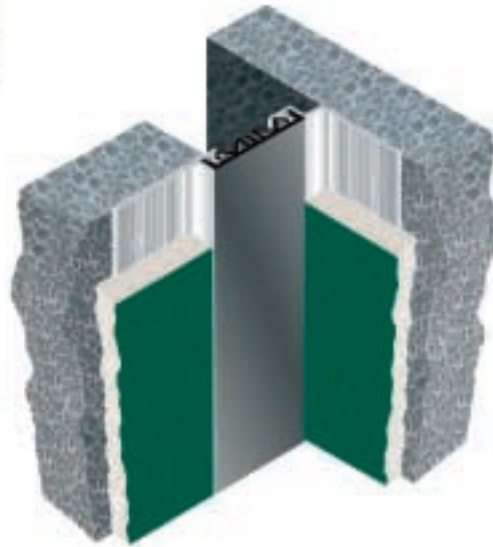
OPTIONS

Fire Rated

Separate installation datasheet available



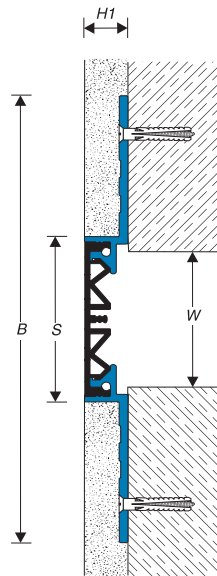
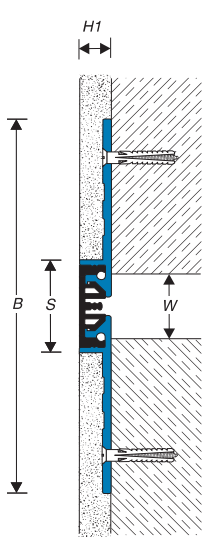
A07-050



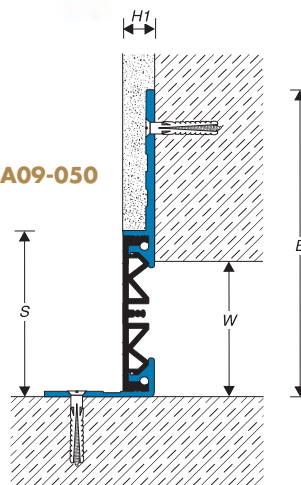
A10-050

100-A07-030

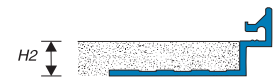
100-A07-050



100-A09-050



100-A10-030



100-A11-030



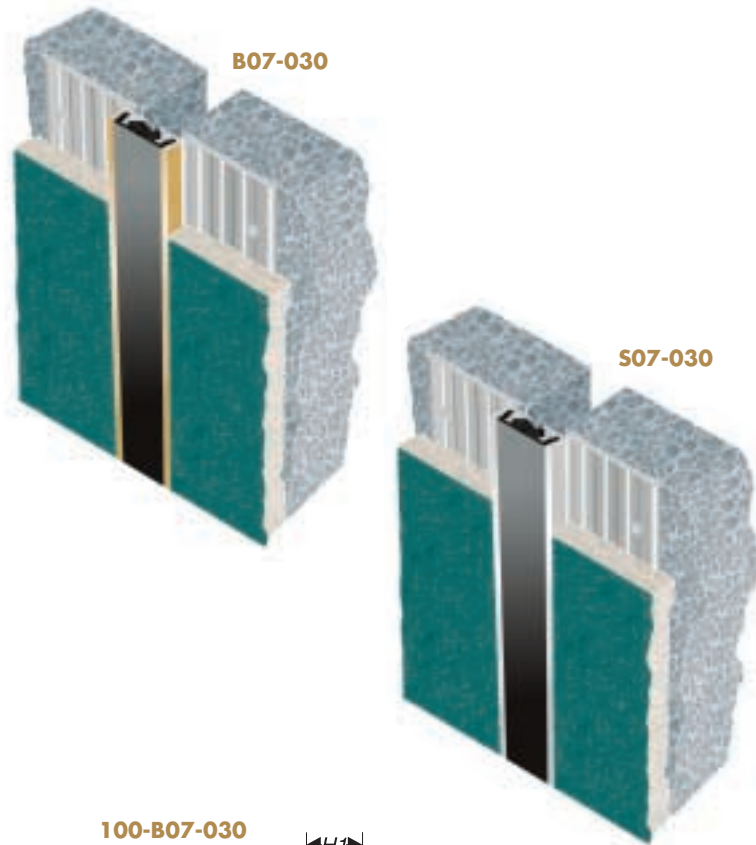
Application	Style	W Width mm	H1 Height 1 mm	H2 Height 2 mm	S Sightline mm	B Blockout mm	Movement ±		Load kN
							Horizontal mm	Vertical mm	
Wall/Wall	100-A07-030	30/*40	10,15,25	-	40	160	5	5	-
	100-A07-050	50/*71	10,15,25	-	71	191	10	10	-
	100-A07-075	75/*93	10,15,25	-	93	213	15	15	-
Wall/Corner	100-A09-030	30/*40	10,15,25	-	40	100	5	5	-
	100-A09-050	50/*71	10,15,25	-	71	131	10	10	-
	100-A09-075	75/*93	10,15,25	-	93	153	15	15	-
	100-A10-030	30/*40	10,15,25	10	37	107	5	5	-
	100-A10-050	50/*71	10,15,25	10	68	138	10	10	-
	100-A10-075	75/*93	10,15,25	10	90	160	15	15	-
	100-A11-030	30/*40	10,15,25	15	37	112	5	5	-
	100-A11-050	50/*71	10,15,25	15	68	143	10	10	-
	100-A11-075	75/*93	10,15,25	15	90	165	15	15	-
	100-A12-030	30/*40	10,15,25	25	37	122	5	5	-
	100-A12-050	50/*71	10,15,25	25	68	153	10	10	-
	100-A12-075	75/*93	10,15,25	25	90	175	15	15	-

* Gap required for 10mm deep joint

React 100 Series

Recessed Modular Wall System with Stainless Steel or Brass Cappings

Joint Widths 25mm to 75mm

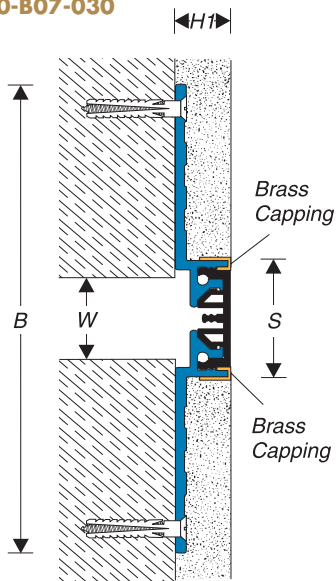


- S07 joints have 316 grade Stainless Steel cappings
- B07 Series have CZ121 grade Brass cappings
- Fully integrated ranges for floors, walls and ceilings
- Easy to clean flush seals with no dirt traps
- Snap-fit design for easy onsite assembly

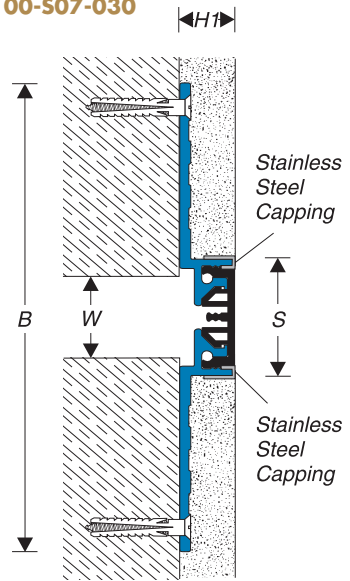
OPTIONS Fire Rated

Separate installation datasheet available

100-B07-030



100-S07-030



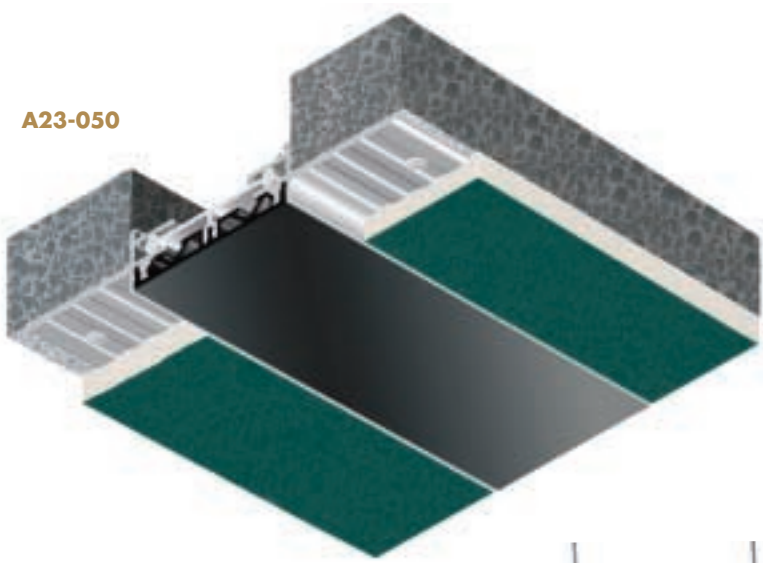
Application	Style	W Width mm	H1 Height 1 mm	H2 Height 2 mm	S Sightline mm	B Blockout mm	Movement ±	
							Horizontal mm	Vertical mm
Wall/Wall	100-S07-030	30/*40	10,15,25	-	41	160	5	5
	100-S07-050	50	10,15,25	-	72	191	10	10
	100-S07-075	75	10,15,25	-	94	213	15	15
Wall/Wall	100-B07-030	30/*40	10,15,25	-	41	160	5	5
	100-B07-050	50	10,15,25	-	72	191	10	10
	100-B07-075	75	10,15,25	-	94	213	15	15

* Gap required for 10mm deep joint

React 100 Series

Recessed/Suspended Modular Ceiling Systems with Coloured Seals

Joint Widths 25mm to 75mm



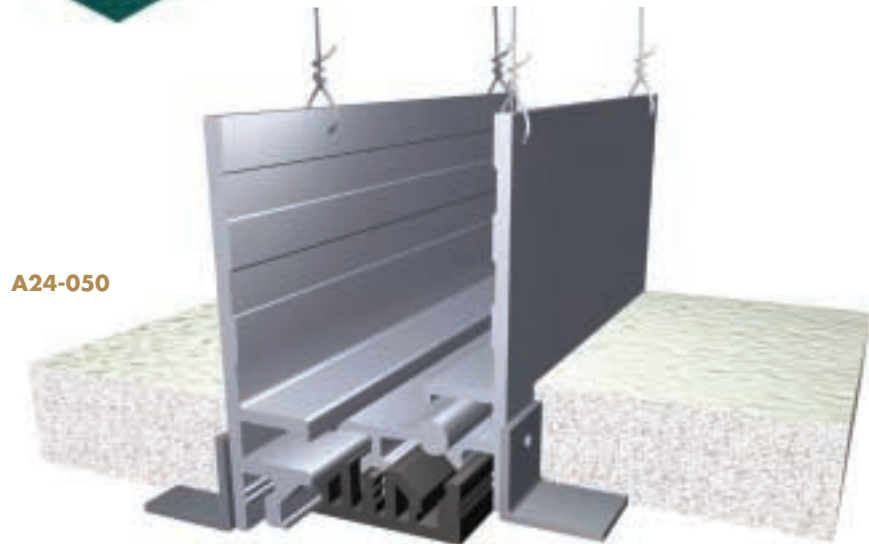
A23-050

- Ceiling to ceiling profiles for suspended ceilings and fixing beneath ceiling finishes
- Fully integrated to wall joints
- Snap-fit design for easy onsite assembly
- Mill finish aluminium

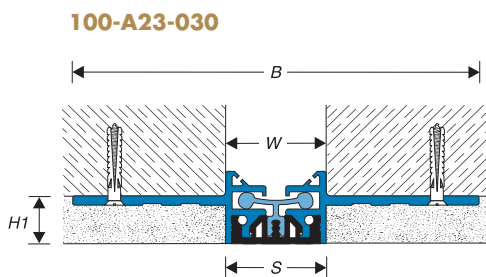
OPTIONS - A23 Series only

Brass and Stainless Steel Caps
Fire Rated

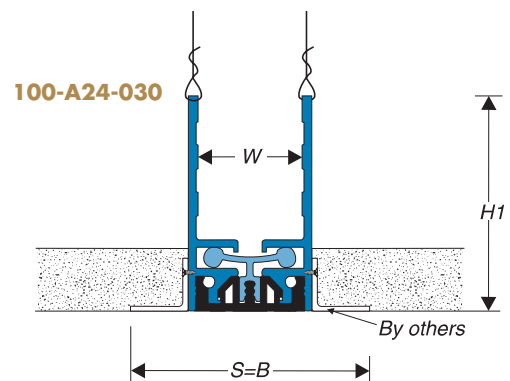
Separate installation datasheet available



A24-050



100-A23-030



100-A24-030

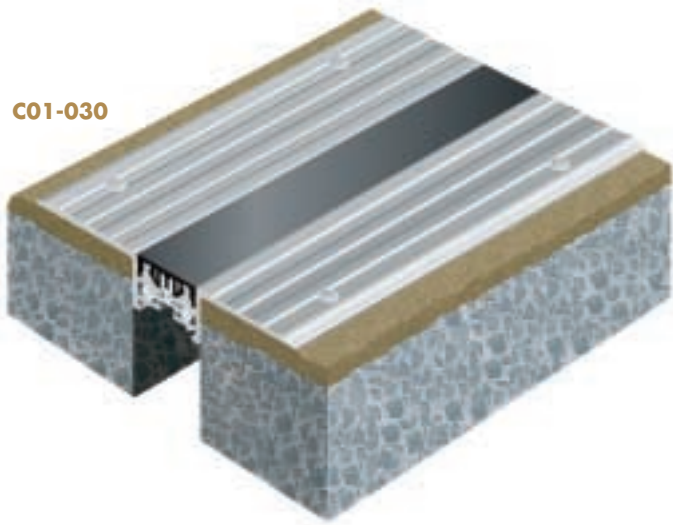
Application	Style	W	H1	H2	S	B	Movement ±		Load
		Width mm	Height 1 mm	Height 2 mm	Sightline mm	Blockout mm	Horizontal mm	Vertical mm	
Ceiling/ Ceiling	100-A23-030	40	10,15,25	-	40	160	5	5	-
	100-A23-050	71	10,15,25	-	71	191	10	10	-
	100-A23-075	93	10,15,25	-	93	213	15	15	-
	100-A24-030	70	50	-	40	40	5	5	-
	100-A24-050	101	50	-	71	71	10	10	-
	100-A24-075	123	50	-	93	93	15	15	-

React 100 Series

Modular Surface Mount Floor System with Coloured Seals

Joint Widths 25mm to 75mm

C01-030

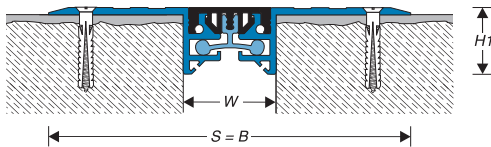


- Designed for renovation and surface mount installations
- Fully integrated to wall joints
- Flush mount clean lines
- Snap-fit design for easy onsite assembly
- Mill finish aluminium
- Load rated

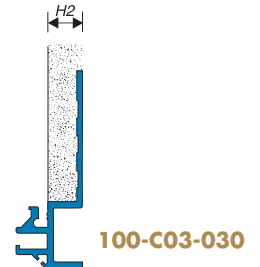
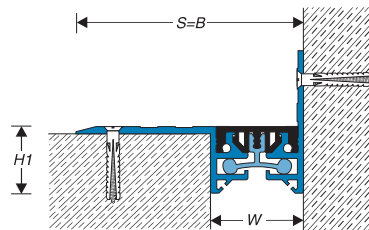
OPTIONS Vapour barrier
Fire Rated

Separate installation datasheet available

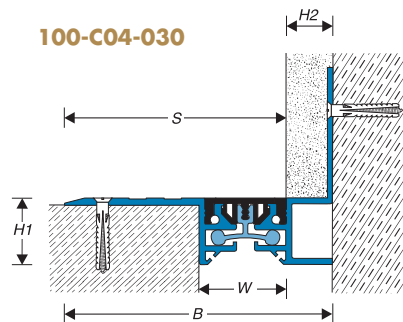
100-C01-030



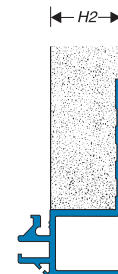
100-C02-030



100-C04-030



100-C05-030



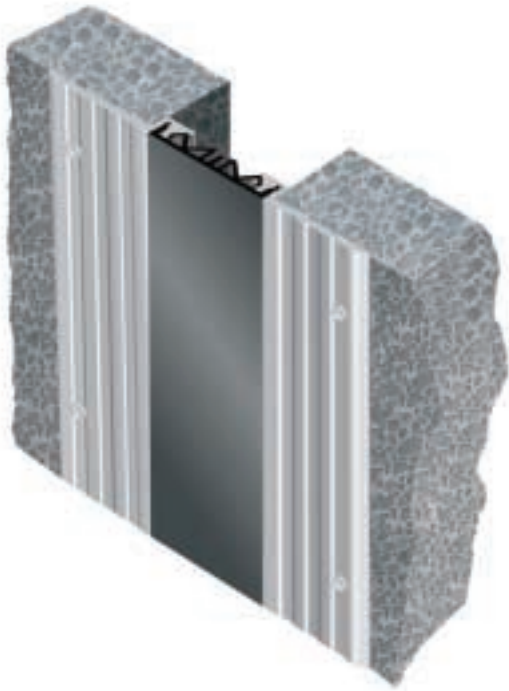
Application	Style	W	H1	H2	S	B	Movement ±		Load
		Width mm	Height 1 mm	Height 2 mm	Sightline mm	Blockout mm	Horizontal mm	Vertical mm	
Floor/Floor	100-C01-030	40	28	-	160	160	5	5	35
	100-C01-050	71	28	-	191	191	10	10	35
	100-C01-075	93	28	-	213	213	15	15	25
Floor/Wall	100-C02-030	40	28	-	100	100	5	5	35
	100-C02-050	71	28	-	131	131	10	10	35
	100-C02-075	93	28	-	153	153	15	15	25
	100-C03-030	38	28	10	97	107	5	5	35
	100-C03-050	69	28	10	128	138	10	10	35
	100-C03-075	91	28	10	150	160	15	15	25
	100-C04-030	38	28	15	97	112	5	5	35
	100-C04-050	69	28	15	128	143	10	10	35
	100-C04-075	91	28	15	150	165	15	15	25
	100-C05-030	38	28	25	97	122	5	5	35
	100-C05-050	69	28	25	128	153	10	10	35
	100-C05-075	91	28	25	150	175	15	15	25

React 100 Series

Modular Surface Mount Wall System with Coloured Seals

Joint Widths 25mm to 75mm

C07-050



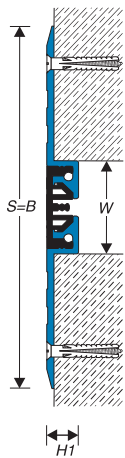
- Designed for renovation and surface mount installations
- Fully integrated to floor joints
- Flush mount clean lines
- Snap-fit design for easy onsite assembly
- Mill finish aluminium

OPTIONS

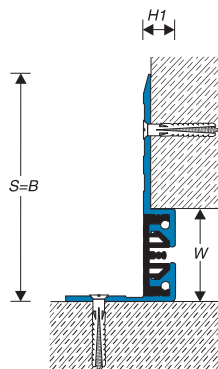
Fire Rated

Separate installation datasheet available

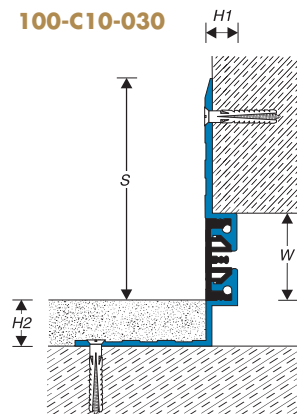
100-C07-030



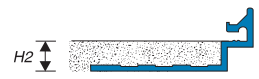
100-C08-030



100-C10-030



100-C09-030



100-C11-030



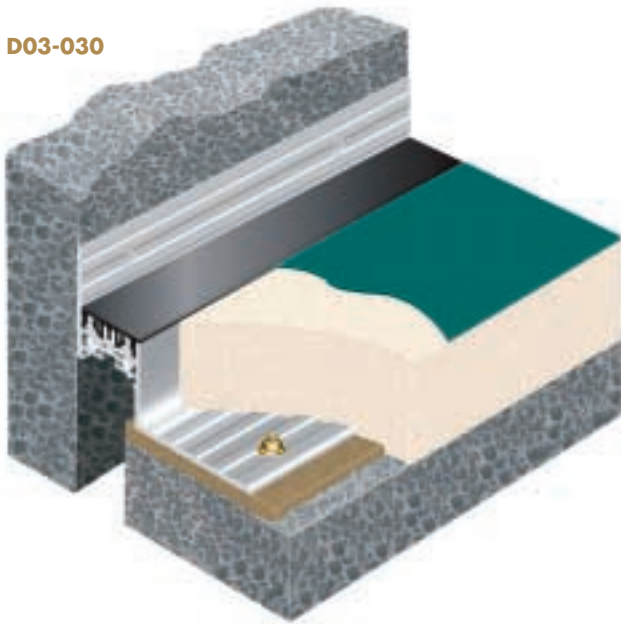
Application	Style	W	H1	H2	S	B	Movement ±		Load kN
		Width mm	Height 1 mm	Height 2 mm	Sightline mm	Blockout mm	Horizontal mm	Vertical mm	
Wall/Wall	100-C07-030	40	11	-	160	160	5	5	-
	100-C07-050	71	11	-	191	191	10	10	-
	100-C07-075	93	11	-	213	213	15	15	-
Wall/Corner	100-C08-030	40	11	-	100	100	5	5	-
	100-C08-050	71	11	-	131	131	10	10	-
	100-C08-075	93	11	-	153	153	15	15	-
	100-C09-030	38	11	10	97	107	5	5	-
	100-C09-050	69	11	10	128	138	10	10	-
	100-C09-075	91	11	10	150	160	15	15	-
	100-C10-030	38	11	15	97	112	5	5	-
	100-C10-050	69	11	15	128	143	10	10	-
	100-C10-075	91	11	15	150	165	15	15	-
	100-C11-030	38	11	25	97	122	5	5	-
	100-C11-050	69	11	25	128	153	10	10	-
	100-C11-075	91	11	25	150	175	15	15	-

React 100 Series

Recessed Modular Floor System with Coloured Seals for Vinyl Finishes

Joint Widths 25mm to 75mm

D03-030

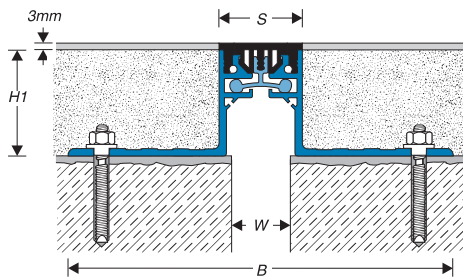


- Specially designed for use with vinyl finishes
- Fully integrated seamless floor, wall and ceiling system
- Easy to clean flush seals with no dirt traps
- Snap-fit design for easy onsite assembly
- Mill finish aluminium
- Load rated

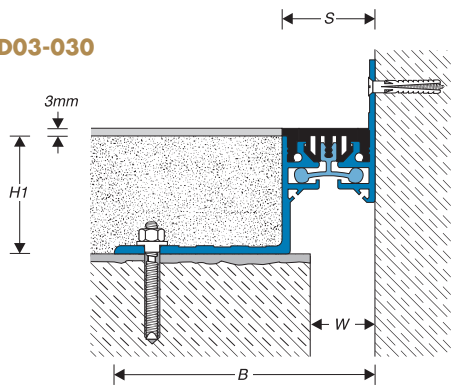
OPTIONS Vapour barrier
Fire Rated

Separate installation datasheet available

100-D01-030



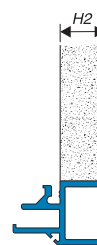
100-D03-030



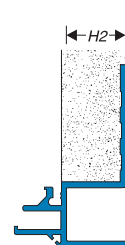
100-D05-030



100-D07-050



100-D09-050

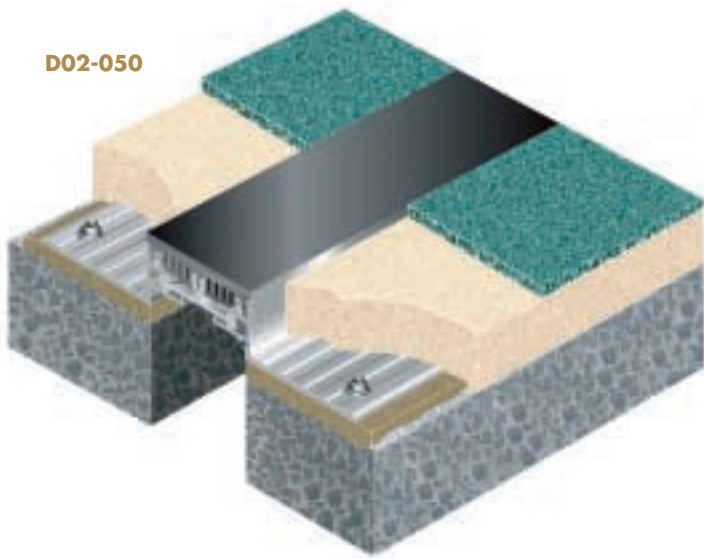


Application	Style	W	H1	H2	S	B	Movement ±		Load kN
		Width mm	Height 1 mm	Height 2 mm	Sightline mm	Blockout mm	Horizontal mm	Vertical mm	
Floor/Floor 3mm Vinyl	100-D01-030	30	25,35,50,70	-	160	160	5	5	35
	100-D01-050	50	25,35,50,70	-	191	191	10	10	35
	100-D01-075	75	25,35,50,70	-	213	213	15	15	25
Floor/Wall 3mm Vinyl	100-D03-030	30	25,35,50,70	-	100	100	5	5	35
	100-D03-050	50	25,35,50,70	-	131	131	10	10	35
	100-D03-075	75	25,35,50,70	-	153	153	15	15	25
	100-D05-030	30	25,35,50,70	10	97	107	5	5	35
	100-D05-050	50	25,35,50,70	10	128	138	10	10	35
	100-D05-075	75	25,35,50,70	10	150	160	15	15	25
	100-D07-030	30	25,35,50,70	15	97	112	5	5	35
	100-D07-050	50	25,35,50,70	15	128	143	10	10	35
	100-D07-075	75	25,35,50,70	15	150	165	15	15	25
	100-D09-030	30	25,35,50,70	25	97	122	5	5	35
	100-D09-050	50	25,35,50,70	25	128	153	10	10	35
	100-D09-075	75	25,35,50,70	25	150	175	15	15	25

React 100 Series

Recessed Modular Floor System with Coloured Seals for Carpet Finishes

Joint Widths 25mm to 75mm



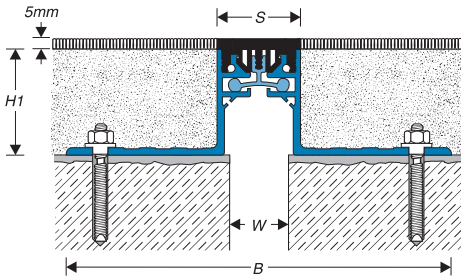
D02-050

- Specially designed for use with carpet finishes
- Fully integrated seamless floor, wall and ceiling system
- Easy to clean flush seals with no dirt traps
- Snap-fit design for easy onsite assembly
- Mill finish aluminium
- Load rated

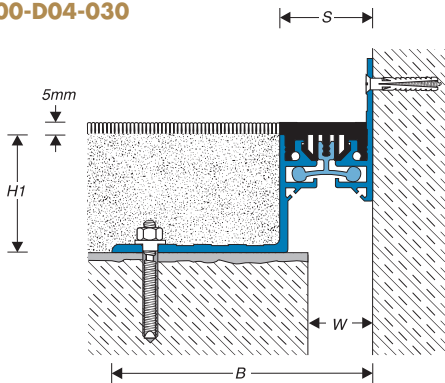
OPTIONS Vapour barrier
Fire Rated

Separate installation datasheet available

100-D02-030



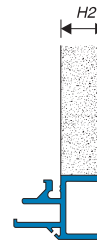
100-D04-030



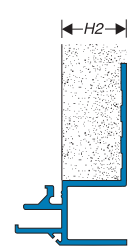
100-D06-030



100-D08-050



100-D10-050

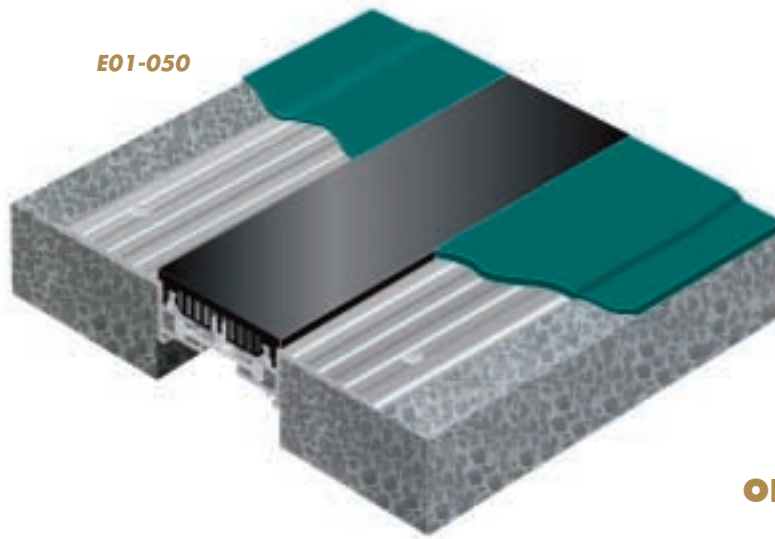


Application	Style	W	H1	H2	S	B	Movement ±		Load kN
		Width mm	Height 1 mm	Height 2 mm	Sightline mm	Blockout mm	Horizontal mm	Vertical mm	
Floor/Floor 5mm Vinyl	100-D02-030	30	25,35,50,70	-	40	185	5	5	35
	100-D02-050	50	25,35,50,70	-	71	216	10	10	35
	100-D02-075	75	25,35,50,70	-	93	238	15	15	25
Floor/Wall 5mm Vinyl	100-D04-030	30	25,35,50,70	-	40	112	5	5	35
	100-D04-050	50	25,35,50,70	-	71	143	10	10	35
	100-D04-075	75	25,35,50,70	-	93	165	15	15	25
	100-D06-030	30	25,35,50,70	10	37	119	5	5	35
	100-D06-050	50	25,35,50,70	10	68	150	10	10	35
	100-D06-075	75	25,35,50,70	10	90	172	15	15	25
	100-D08-030	30	25,35,50,70	15	37	124	5	5	35
	100-D08-050	50	25,35,50,70	15	68	155	10	10	35
	100-D08-075	75	25,35,50,70	15	90	177	15	15	25
	100-D10-030	30	25,35,50,70	25	37	134	5	5	35
	100-D10-050	50	25,35,50,70	25	68	165	10	10	35
	100-D10-075	75	25,35,50,70	25	90	187	15	15	25

React 100 Series

Modular Surface Mount Floor System with Coloured Seals for Vinyl Finishes

Joint Widths 25mm to 75mm



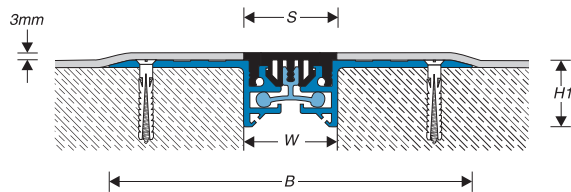
E01-050

- Designed for renovation and surface mount installations using vinyl tile finishes
- Fully integrated to wall joints
- Flush mount clean lines
- Snap-fit design for easy onsite assembly
- Mill finish aluminium
- Load rated

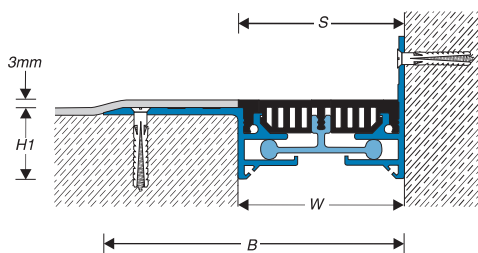
OPTIONS Vapour barrier
Fire Rated

Separate installation datasheet available

100-E01-030



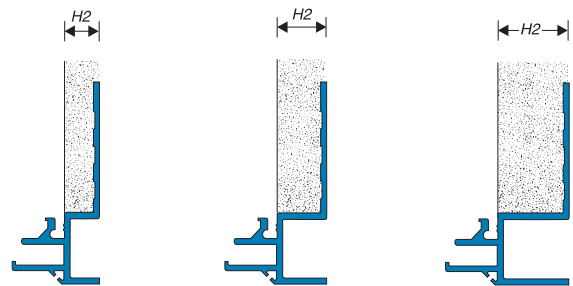
100-E03-050



100-E05-050

100-E07-050

100-E09-050

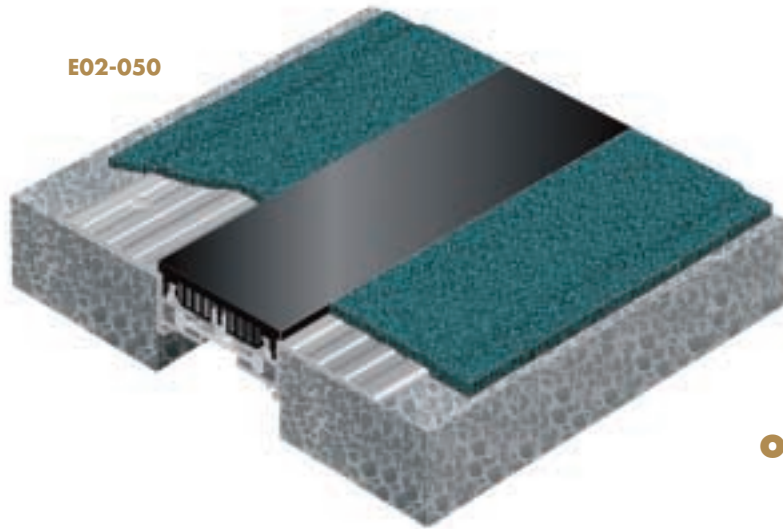


Application	Style	W	H1	H2	S	B	Movement ±		Load
		Width mm	Height 1 mm	Height 2 mm	Sightline mm	Blockout mm	Horizontal mm	Vertical mm	
Floor/Floor 3mm Vinyl	100-E01-030	40	28	-	40	160	5	5	35
	100-E01-050	71	28	-	71	191	10	10	35
	100-E01-075	93	28	-	93	213	15	15	25
Floor/Wall 3mm Vinyl	100-E03-030	40	28	-	40	100	5	5	35
	100-E03-050	71	28	-	71	131	10	10	35
	100-E03-075	93	28	-	93	153	15	15	25
	100-E05-030	38	28	10	37	107	5	5	35
	100-E05-050	69	28	10	68	138	10	10	35
	100-E05-075	91	28	10	90	160	15	15	25
	100-E07-030	38	28	15	37	112	5	5	35
	100-E07-050	69	28	15	68	143	10	10	35
	100-E07-075	91	28	15	90	165	15	15	25
	100-E09-030	38	28	25	37	122	5	5	35
	100-E09-050	69	28	25	68	153	10	10	35
	100-E09-075	91	28	25	90	175	15	15	25

React 100 Series

Modular Surface Mount Floor System with Coloured Seals for Carpet Finishes

Joint Widths 25mm to 75mm



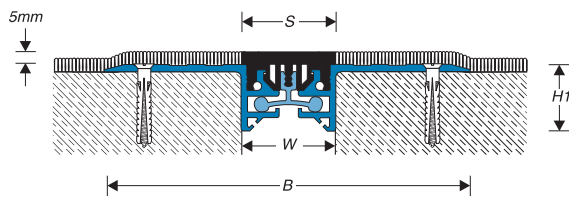
E02-050

- Designed for renovation and surface mount installations using carpet finishes
- Fully integrated to wall joints
- Flush mount clean lines
- Snap-fit design for easy onsite assembly
- Mill finish aluminium
- Load rated

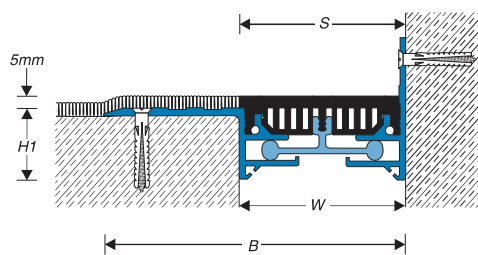
OPTIONS Vapour barrier
Fire Rated

Separate installation datasheet available

100-E02-030



100-E04-050



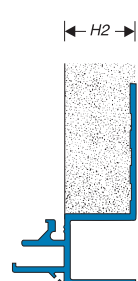
100-E06-050



100-E08-050



100-E10-050

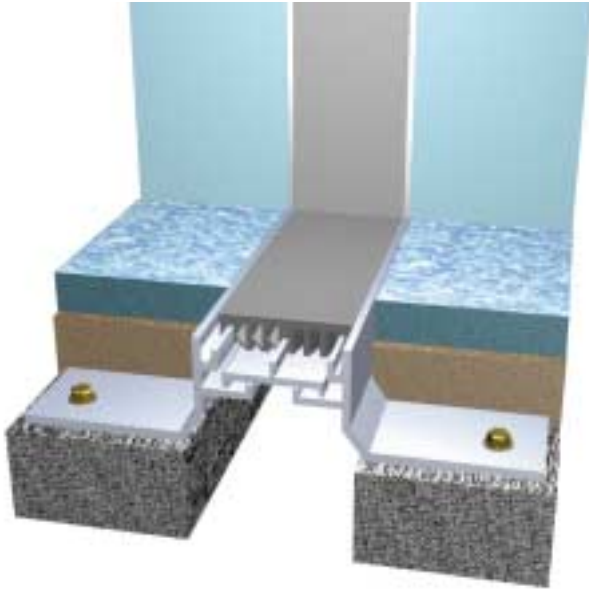


Application	Style	W	H1	H2	S	B	Movement ±		Load
		Width mm	Height 1 mm	Height 2 mm	Sightline mm	Blockout mm	Horizontal mm	Vertical mm	
Floor/Floor 5mm Carpet	100-E02-030	40	28	-	40	160	5	5	35
	100-E02-050	71	28	-	71	191	10	10	35
	100-E02-075	93	28	-	93	213	15	15	25
Floor/Wall 5mm Carpet	100-E04-030	40	28	-	40	100	5	5	35
	100-E04-050	71	28	-	71	131	10	10	35
	100-E04-075	93	28	-	93	153	15	15	25
	100-E06-030	38	28	10	37	107	5	5	35
	100-E06-050	69	28	10	68	138	10	10	35
	100-E06-075	91	28	10	90	160	15	15	25
	100-E08-030	38	28	15	37	112	5	5	35
	100-E08-050	69	28	15	68	143	10	10	35
	100-E08-075	91	28	15	90	165	15	15	25
	100-E10-030	38	28	25	37	122	5	5	35
	100-E10-050	69	28	25	68	153	10	10	35
	100-E10-075	91	28	25	90	175	15	15	25

React 100 Series

Recessed Modular Floor System with Coloured Seals

Joint Widths 25mm to 75mm



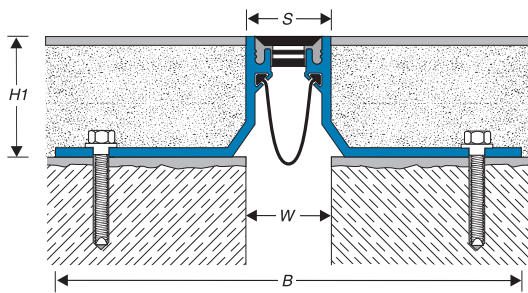
- Ideal combination with ceramic tile, marble, stone, vinyl tile and carpet finishes
- Fully integrated seamless floor, wall and ceiling system
- Custom colour matching to floor and wall finish
- Easy to clean flush seals with no dirt or water traps
- Snap-fit design for easy onsite assembly
- Mill finish aluminum
- Load rated

OPTIONS

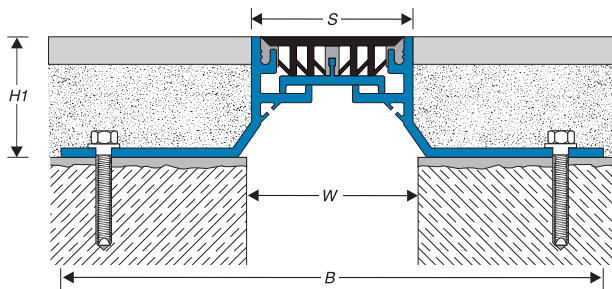
- Vapour Barrier
- Brass and Stainless Steel Caps
- Fire Rated

Separate installation datasheet available

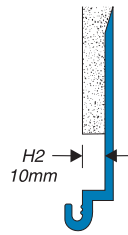
101-A01-025 Floor/Floor



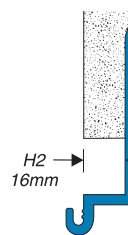
101-A01-050 Floor/Floor



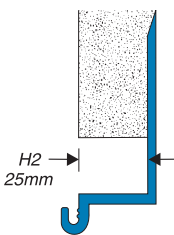
101-A03



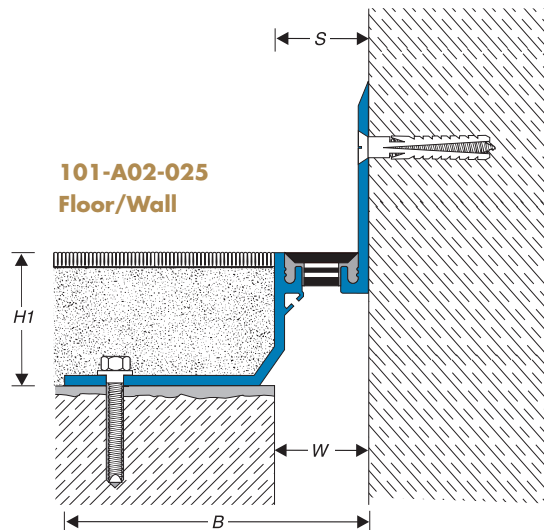
101-A04



101-A05



101-A02-025 Floor/Wall



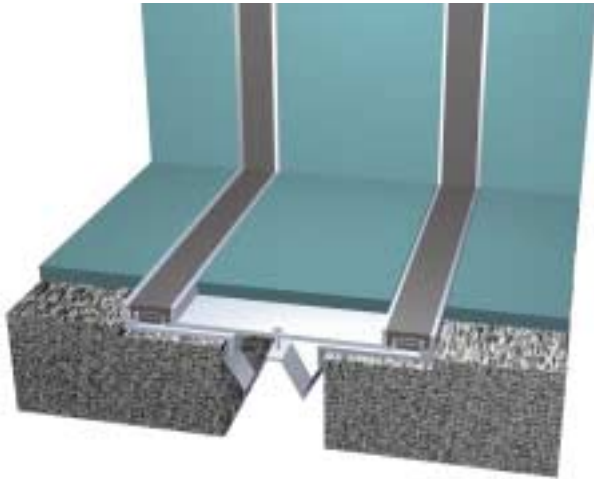
Application	Style	W	H1	H2	S	B	Movement ±		Load kN
		Width mm	Height 1 mm	Height 1 mm	Sightline mm	Blockout mm	Horizontal mm	Vertical mm	
Floor/Floor	101-A01-025	25	25/38/50/75	.	25	130	6	6	25
	101-A01-050	50	25/38/50/75	.	50	155	12	12	15
	101-A01-075	75	25/38/50/75	.	75	180	20	20	15
Floor/Wall	101-A02-025	25	25/38/50/75	.	25	78	6	6	25
	101-A02-050	50	25/38/50/75	.	50	103	12	12	15
	101-A02-075	75	25/38/50/75	.	75	128	20	20	15
	101-A04-025	25	25/38/50/75	16	22	94	6	6	25
	101-A04-050	50	25/38/50/75	16	47	119	12	12	15
	101-A04-075	75	25/38/50/75	16	72	144	20	20	15

Shear movement capacity = 20% of width 'W'.
Contact factory for alternate combinations.

React 200 Series

Attractive Multipurpose Dual Seal Systems

Joint Widths 50mm to 150mm



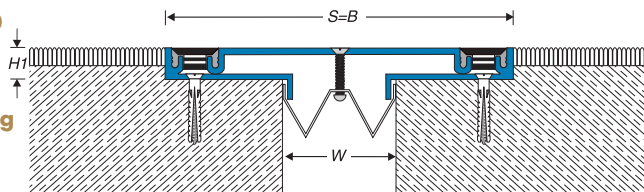
- For ceramic tile, marble, stone, hard flooring, vinyl and carpet finishes
- Dual seal absorbs limited seismic vertical movement
- Seamless integration of joints in floors, walls and ceilings
- Coloured seals to complement floors and walls
- Easy snap-fit for onsite assembly
- Continuous seals available
- Load rated

OPTIONS

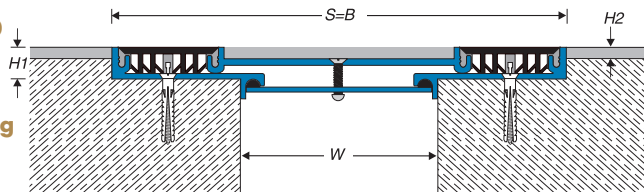
- Vapour Barrier
- Brass and Stainless Steel Caps to 223 only
- Fire Rated
- Extra Wide Joints

Separate installation datasheet available

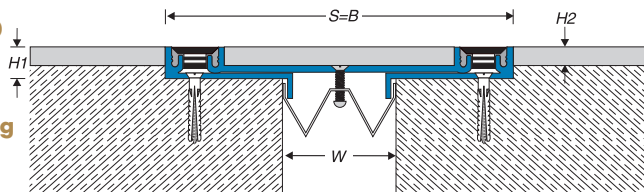
221-A01-050
Floor/Floor
Wall/Wall
Ceiling/Ceiling



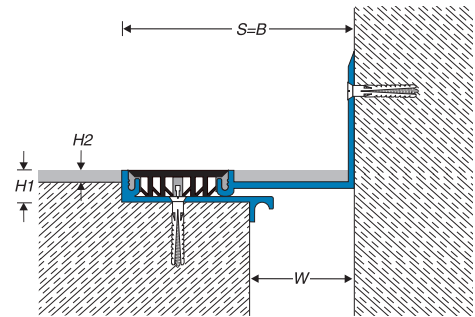
222-A01-100
Floor/Floor
Wall/Wall
Ceiling/Ceiling



223-A01-050
Floor/Floor
Wall/Wall
Ceiling/Ceiling



222-A02-050 Floor/Wall
Wall/Corner Wall/Ceiling

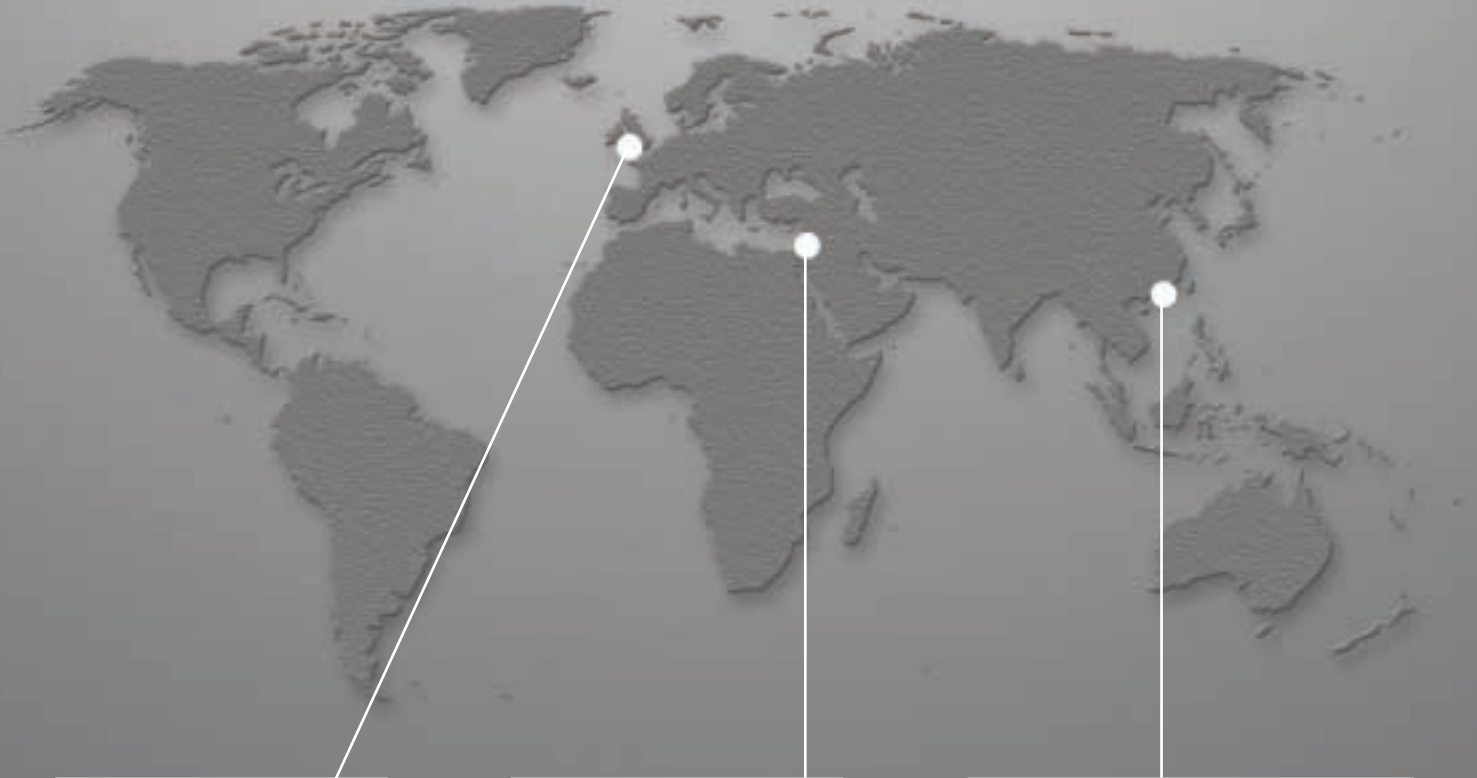


Application	Style	W	H1	H2	S	B	Movement ±		Load
		Width	Height 1	Height 2	Sightline	Blockout	Horizontal	Vertical	
		mm	mm	mm	mm	mm	mm	mm	kN
Floor/Floor Wall/Wall	221-A01-050	50	16	.	125	125	12	12	25
	221-A01-100	100	16	.	237	237	25	25	15
	221-A01-150	150	16	.	289	289	25	25	HP
	222-A01-050	50	16	3	125	125	12	12	25
	222-A01-100	100	16	3	237	237	25	25	15
	222-A01-150	150	16	3	289	289	25	25	HP
	223-A01-050	50	16	10	125	125	12	12	25
	223-A01-100	100	16	10	237	237	25	25	15
	223-A01-150	150	16	10	289	289	25	25	HP
Floor/Wall Wall/Corner	221-A02-050	50	16	.	89	89	6	6	25
	221-A02-100	100	16	.	170	170	12	12	15
	221-A02-150	150	16	.	219	219	12	12	HP
	222-A02-050	50	16	3	89	89	6	6	25
	222-A02-100	100	16	3	170	170	12	12	15
	222-A02-150	150	16	3	219	219	12	12	HP
	223-A02-050	50	16	10	89	89	6	6	25
	223-A02-100	100	16	10	170	170	12	12	15
	223-A02-150	150	16	10	219	219	12	12	HP

Shear movement - 25%.



VEXCOLT



Vexcolt Europe

Summer House,
Summer Way,
Exeter,
England EX4 8JD

Tel: ++44 (0)1392 467567
Fax: ++44 (0)1392 467705
e-mail: info@vexcolt.com

Vexcolt Middle East

Sabah Building,
Memari Street,
Beirut,
Lebanon

Tel: ++961 1 738725
Fax: ++961 1 738731
e-mail: info@vexcoltme.com

Vexcolt Asia

Room E,
7th Floor Gold King Industrial Building,
35-41 Tai Lin Pai Road,
Kwai Chung,
N.T. Hong Kong

Tel: ++852 2420 2380
Fax: ++852 2420 2396
e-mail: info@vexcoltasia.com



© Vexcolt 2002 Issue date: 06/02

Vexcolt reserves the right to revise designs and specifications without notice. Information given in this booklet is correct to the best of our knowledge, but architects and specifiers must satisfy themselves as to the suitability of any particular product, specification or design detail for a specific application.

Acknowledgement: We would like to thank Sir Norman Foster and Partners for supplying and allowing us to use a picture of Chep Lap Airport, Hong Kong for the cover of this booklet.