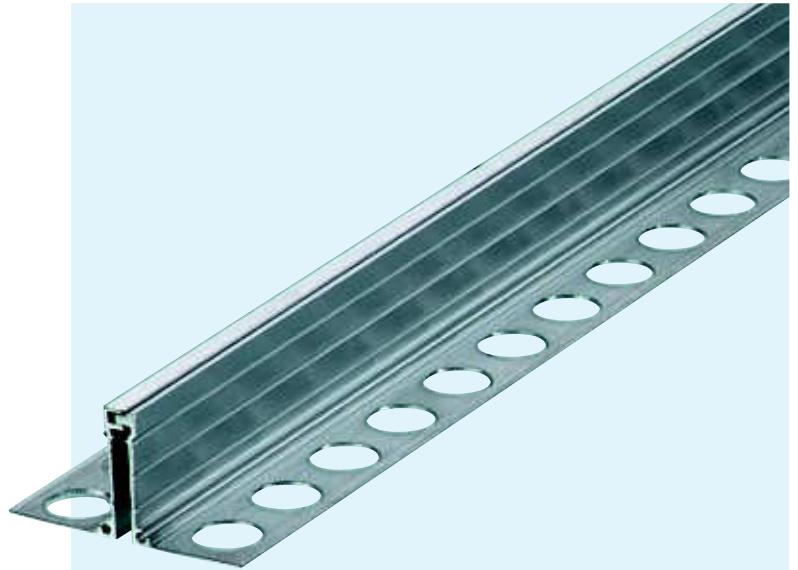


SERIES ESF 10/... AL

FOR CONTRACTION JOINTS IN FLOORS WITH HIGH LOAD CAPACITY

MIGUTRANS

- **SOLID ALL METAL-PROFILE
(HARD WEARING, MAINTENANCE-FREE, LONG LASTING)**
- **INSTALLATION HEIGHT
FROM 15 MM UPWARDS**
- **SMALL VISIBLE SURFACE**



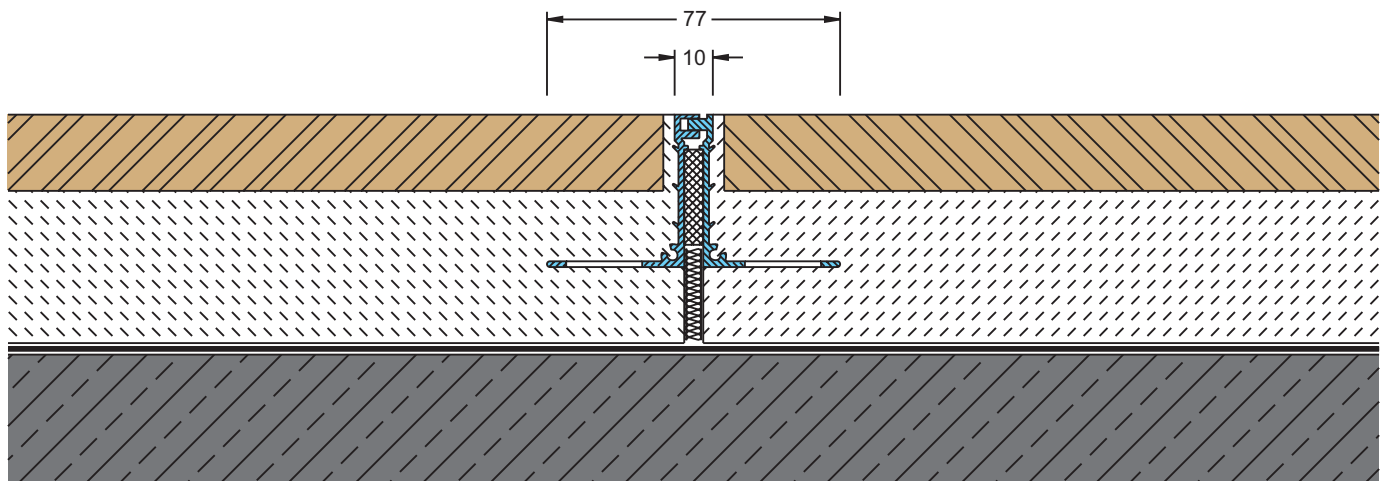
TECHNICAL DATA

Profile	Joint width max. mm	Total Movement mm	Visible Width of Profile mm	Total Width of Profile mm	Installation Height mm	Load capacity Lorries (DIN 1072) kN	Load capacity Fork lift trucks (DIN 1055) kN	Load capacity Solid plastic tyres kg/mm width of wheel
ESF 10/15 AL	10	4 ± 2	10	77	15	600	130	6,5
ESF 10/17 AL	10	4 ± 2	10	77	17	600	130	6,5
ESF 10/25 AL	10	4 ± 2	10	77	25	600	130	6,5
ESF 10/35 AL	10	4 ± 2	10	77	35	600	130	6,5
ESF 10/40 AL	10	4 ± 2	10	77	40	600	130	6,5
ESF 10/50 AL	10	4 ± 2	10	77	50	600	130	6,5
ESF 10/60 AL	10	4 ± 2	10	77	60	600	130	6,5

Material description, important notes and special properties = Page 2

Intersections = Page 35

Installation instruction = Page 36



ESF 10/40 AL

Scale 1 : 2