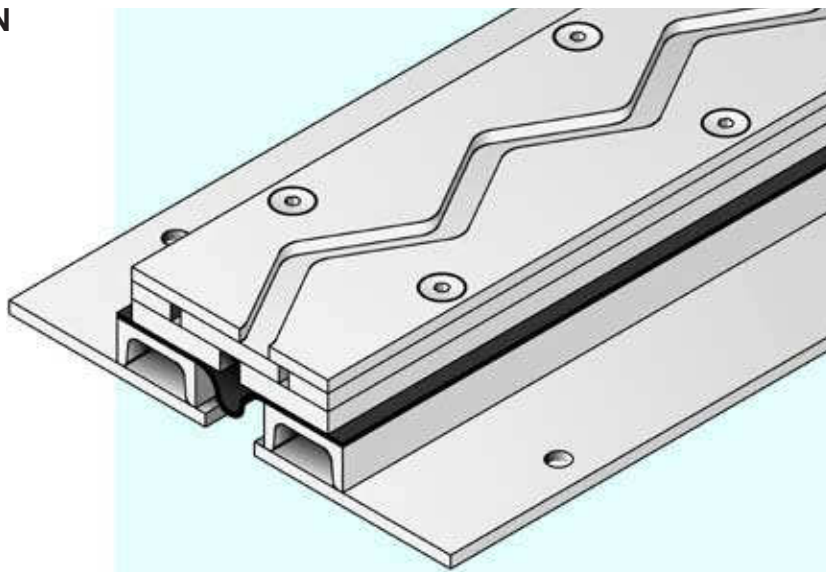


SERIES STW 100/... – WATERTIGHT –

FOR FLOORS WITH EXTREME HIGH LOAD CAPACITY

MIGUNOX

- **TRANSITION FREE FROM VIBRATION**
- **SOLID STEEL PROFILE (HARD WEARING, MAINTENANCE-FREE, LONG LASTING)**
- **EXTREME HIGH LOAD CAPACITY (FORK LIFT TRUCKS, HEAVY LORRIES, SPECIAL VEHICLES)**
- **PROFILE ABSORBS MOVEMENT IN TWO DIRECTIONS (HORIZONTAL AND PARALLEL)**
- **WATERTIGHT, CENTRAL INSERT IS INTERCHANGEABLE AT ANY TIME**



TECHNICAL DATA

Profil	Joint width max. mm	Total Movement mm	Visible Width of Profile mm	Total Width of Profile mm	Installation Height mm	Load capacity Lorries (DIN1072) kN	Load capacity Fork lift trucks (DIN1055) kN
STW 100/3000 ES	35	20 ± 10	105	221	31	600	75
STW 100/5000 ES	35	20 ± 10	105	227	51	600	75
STW 100/6500 ES	35	20 ± 10	105	221	66	600	75

Material:

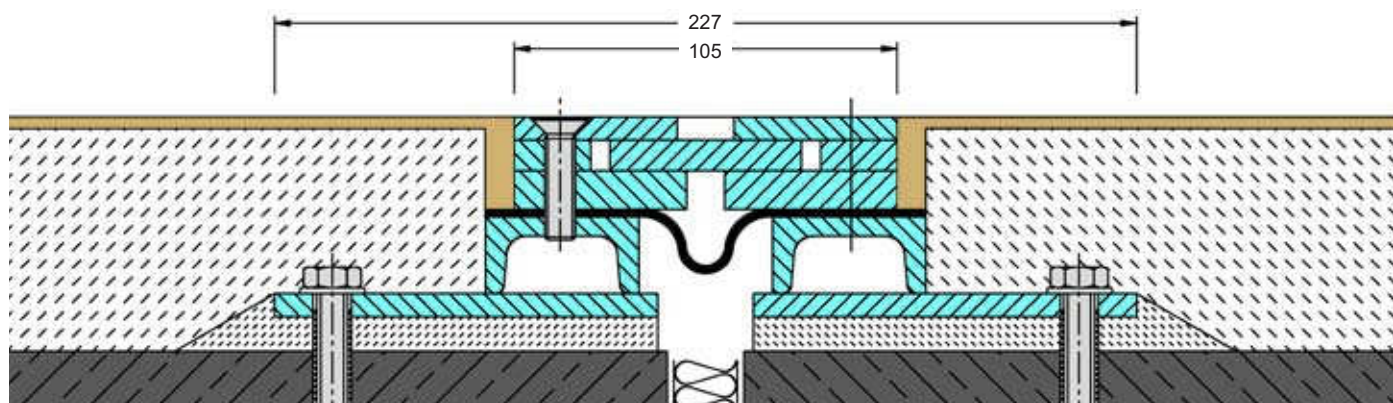
Surface: stainless steel 1.4301 or 1.4571
 Sub-constructions: black steel, galvanized steel or stainless steel
 Central insert: Wolfin IB
 Production length: 1,96 metre

No vertical movement possible.

Profiles for larger joint widths, higher movement capacities or special heights on request.

Adjacent to the upper parts of the profile a connection joint (approx. 5mm width) has to be made. This connection joint has to be filled with a suitable sealant, e.g. polyurethane, to ensure a watertight connection.

Installation has to be done by competent company.



STW 100/5000 ES

Scale 1 : 2