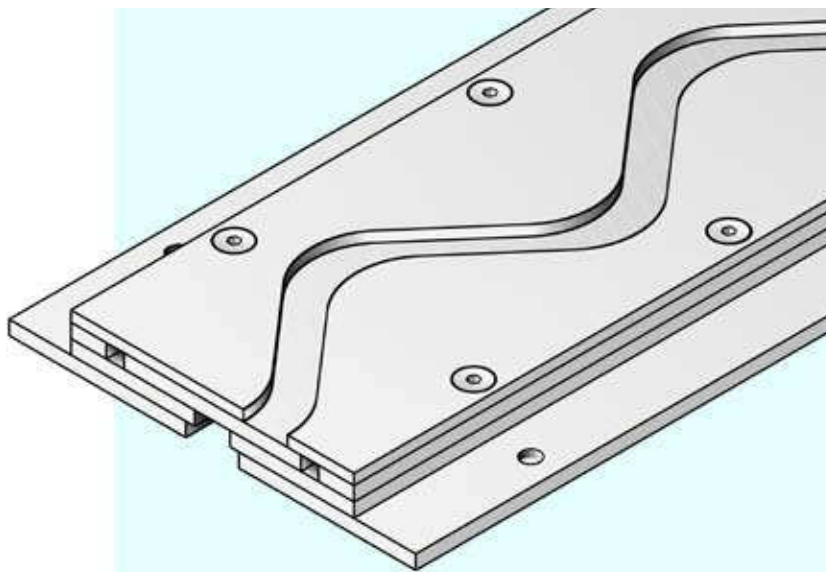


# SERIES STS 160/...

FOR FLOORS WITH EXTREME HIGH LOAD CAPACITY

## MIGUNOX

- **TRANSITION FREE FROM VIBRATION**
- **SOLID STEEL PROFILE (HARD WEARING, MAINTENANCE-FREE, LONG LASTING)**
- **EXTREME HIGH LOAD CAPACITY (FORK LIFT TRUCKS, HEAVY LORRIES, SPECIAL VEHICLES)**
- **PROFILE ABSORBS MOVEMENT IN TWO DIRECTIONS (HORIZONTAL AND PARALLEL)**



### TECHNICAL DATA

Profil	Joint width max. mm	Total Movement mm	Visible Width of Profile mm	Total Width of Profile mm	Installation Height mm	Load capacity Lorries (DIN1072) kN	Load capacity Fork lift trucks (DIN1055) kN
STS 160/3000 ES	60	40 ± 20	165	235	32	600	75
STS 160/4500 ES	60	40 ± 20	165	235	47	600	75
STS 160/6000 ES	60	40 ± 20	165	235	67	600	75

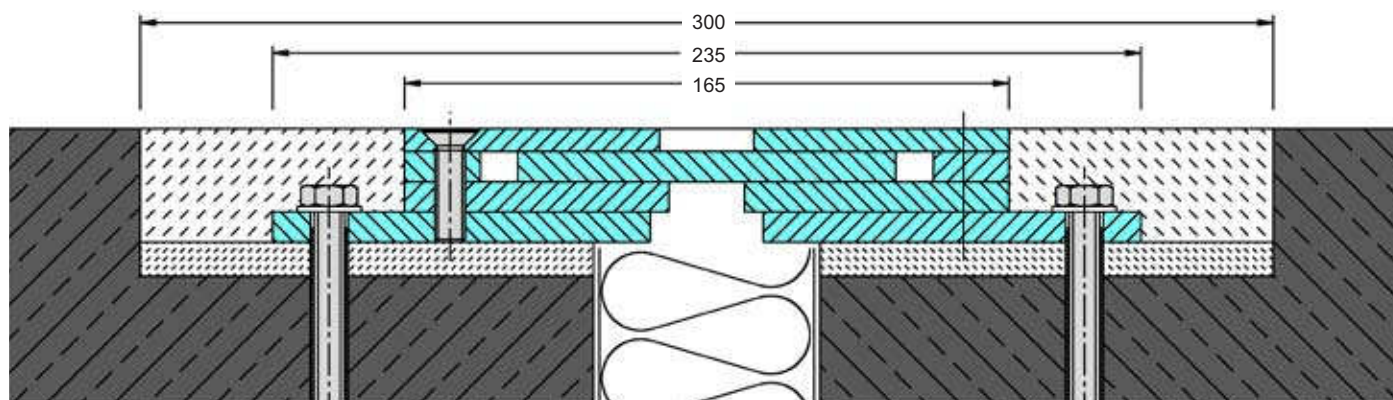
#### Material:

Surface: stainless steel 1.4301 or 1.4571  
Sub-constructions: black steel, galvanized steel or stainless steel  
Production length: 1,96 metre

No vertical movement possible.

Profiles for larger joint widths, higher movement capacities or special heights on request.

Installation has to be done by competent company.



STS 160/3000 ES

Scale 1 : 2