

SERIES DF

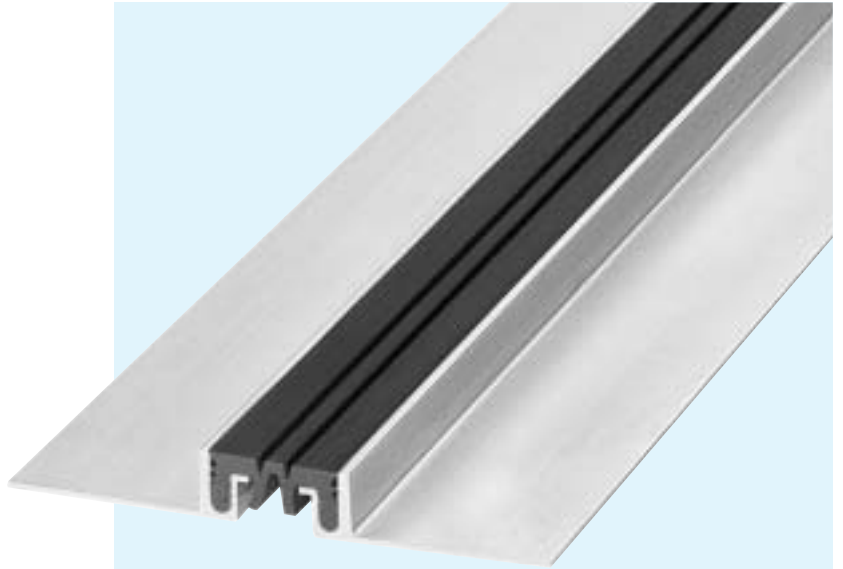
FOR JOINTS IN WALLS OF SANDWICH TYPE PLASTERBOARD

EXPANSION JOINT SYSTEMS

■ FLEXIBLE HIGH QUALITY ELASTOMERIC INSERT REPLACEABLE AT ANY TIME

■ SAME APPEARANCE OF JOINTS IN FLOORS AND WALLS AS THE SAME TYPE OF INSERT USED FOR BOTH APPLICATIONS

■ EASY INSTALLATION BY MEANS OF NAILS OR SCREWS



TECHNICAL DATA

Profile	Joint width max. mm	Total movement mm	Visible width of profile mm	Total width of profile mm	Installation height mm	Example for application
DF 35/12	30	10 +/-5	35	125	14	for installation under sandwich type plaster board of 12,5 mm thickness
DF 50/12	50	16 +/-8	48	138	14	

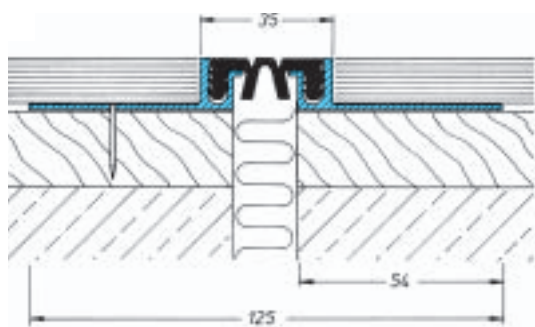
MATERIAL

Aluminium side plates with flexible high quality elastomeric insert, long wearing, weather resistant, temperature resistant (-30°C to +120°C), extensively resistant to oils, acids and bitumen.

Production length: 3 m

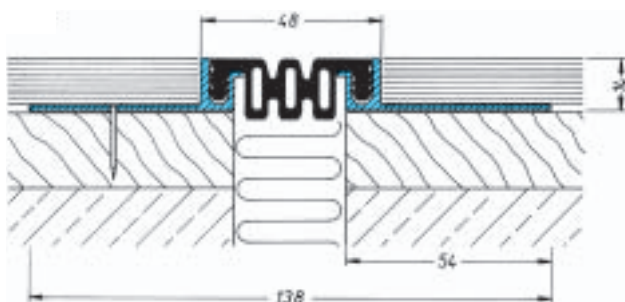
Standard colours: black, grey, Profile DF 35/12 additionally light beige and brown

These profiles are also available as corner versions (see page 36–37)



DF 35/12

Scale 1 : 2



DF 50/12

Scale 1 : 2

