

Linear drainage

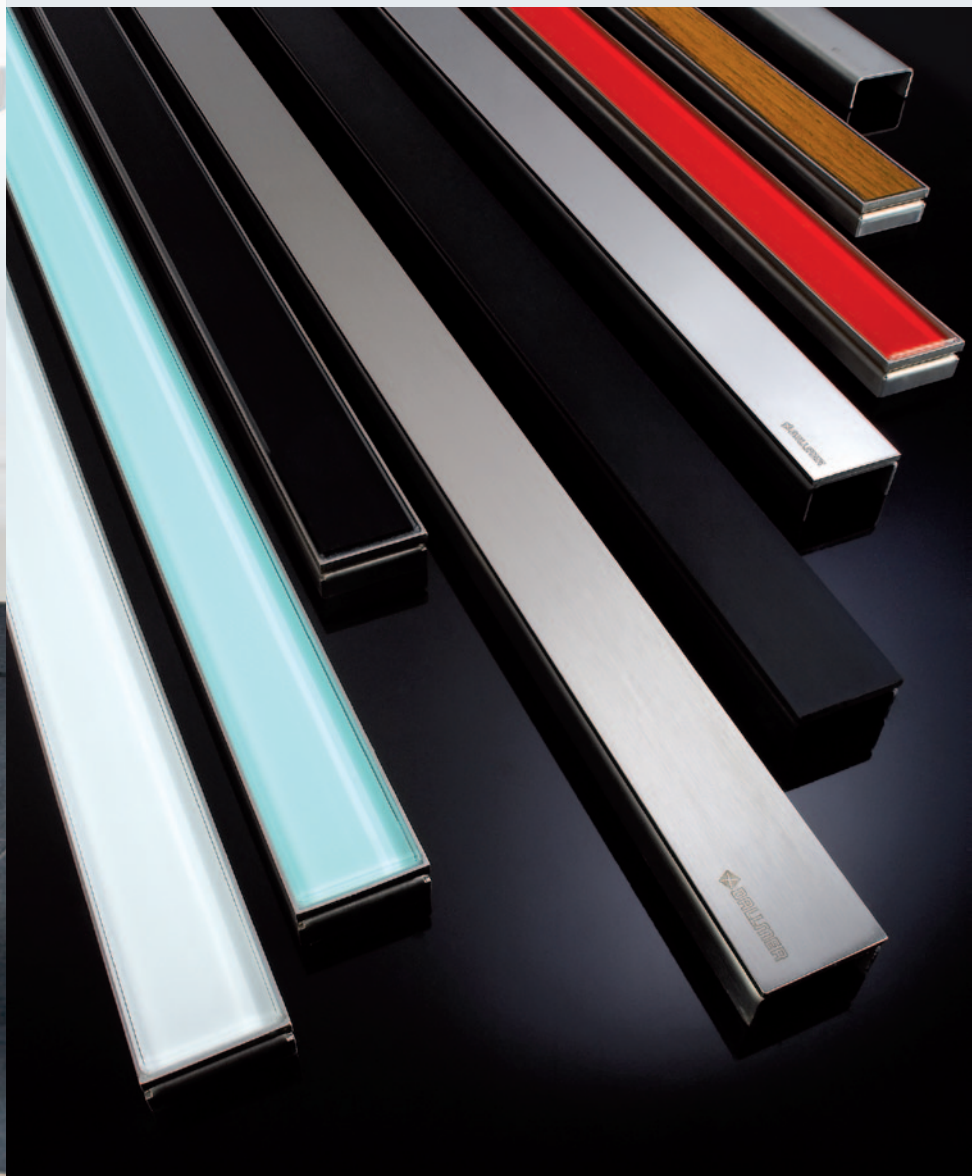
for level access showers





Linear drainage for level access showers

Linear floor drains CeraLine / CeraLine Plan	04
Linear floor drain CeraNiveau	19
CeraNiveau including Zentrix	21
Shower channel SimpliLine	25



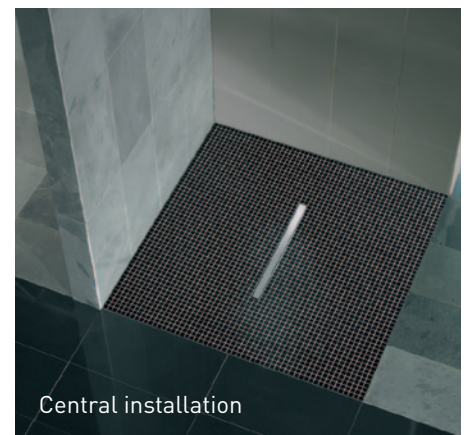


Installation at wall

CeraLine - Innovative, from concept to construction

True channel drainage - from Dallmer

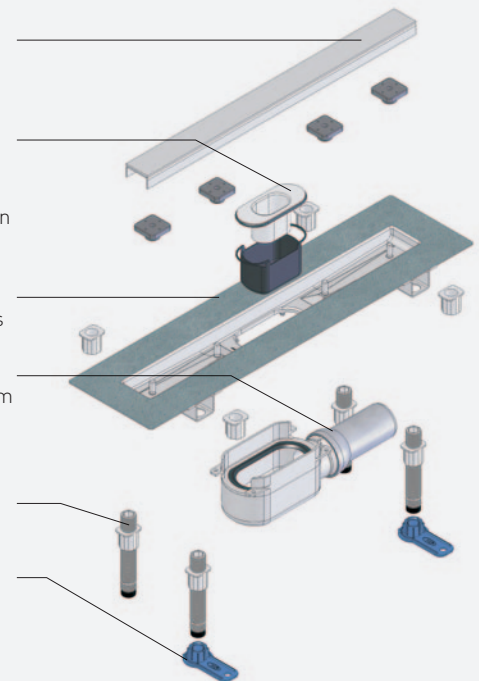
- low build in height - just 110 mm
 - true linear drainage – frameless with a cover plate only 40 mm wide
 - high flow rate - 48.0 l/min
 - flange factory-prepared with a sanded surface to give a key to undertile waterproofing
 - sound-insulating feet on height adjustable legs
 - can be used with all tile formats
 - multiple awards for good design
 - stainless steel construction with integral fall: self-cleansing and no standing water
 - "W" version with unique fittings for secure installation directly to the wall
 - supplied with trap ready-fitted for simple installation
 - Plan version (build-in height: 90 mm) is also available, see page 8 to 9
- NEW:**
- extended range of cover options
 - CeraLine vertical with fire protection system applicable

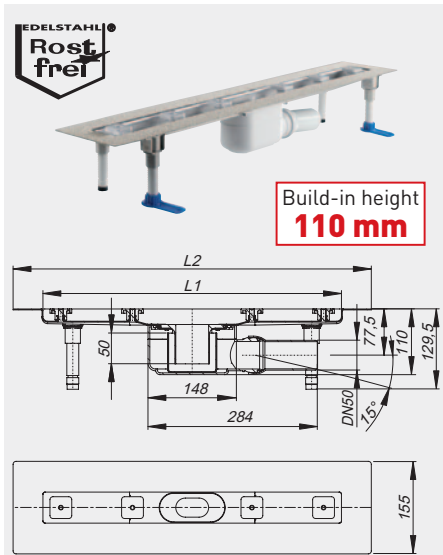


CeraLine W (Installation against wall)



CeraLine F (Central installation)





CeraLine F 500 - 1200

DALLMER floor channel CeraLine F

Linear drainage

Connection: Side outlet, ball-joint adjustable
0 - 15 °, DN 50, BS 2" sw socket or HDPE 56 mm

- with:
- Sound-insulated, height adjustable levelling legs
 - Sanded flange for secure bonding of undertile waterproofing
 - Drain body with removeable trap insert
 - Height adjustable pedestals for levelling the cover-plate
 - Temporary blanking plate
 - Tiling gauges
 - Tile-trim jig

Channel: 304 stainless steel

Drain body: Polypropylene

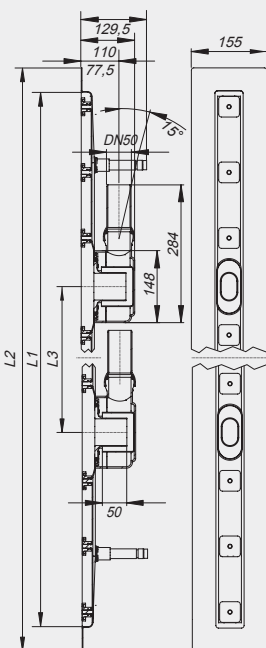
DALLMER floor channel CeraLine F 500 - 1200

with one trap

Flow rate tested to DIN EN 1253
(with 20 mm water over cover plate)

	Required	DALLMER
DN 50	0.8 l/s	0.8 l/s

Item	L 1	L 2	Part no. BS 2"	Part no. DN 50	PU
Floor channel CeraLine F 500	500 mm	600 mm	521118	520012	1
Floor channel CeraLine F 600	600 mm	700 mm	521125	520029	1
Floor channel CeraLine F 700	700 mm	800 mm	521132	520036	1
Floor channel CeraLine F 800	800 mm	900 mm	521149	520043	1
Floor channel CeraLine F 900	900 mm	1000 mm	521156	520050	1
Floor channel CeraLine F 1000	1000 mm	1100 mm	521163	520067	1
Floor channel CeraLine F 1100	1100 mm	1200 mm	521170	520081	1
Floor channel CeraLine F 1200	1200 mm	1300 mm	521187	520074	1



CeraLine, 2 F 800 - F 2000

DALLMER floor channel CeraLine F 800 - 2000

with two traps

Flow rate tested to DIN EN 1253
(with 20 mm water over cover plate)

	Required	DALLMER
DN 50	0.8 l/s	1.4 l/s

NEW! Channels 800 - 2000 mm long with two traps have a flow rate of 1.4 l/sec:

Item	L 1	L 2	L 3	Part no. DN 50	PU
NEW! Floor channel CeraLine 2 F 800	800 mm	900 mm	200 mm	521804	1
NEW! Floor channel CeraLine 2 F 900	900 mm	1000 mm	300 mm	521811	1
NEW! Floor channel CeraLine 2 F 1000	1000 mm	1100 mm	300 mm	521828	1
NEW! Floor channel CeraLine 2 F 1100	1100 mm	1200 mm	400 mm	521835	1
NEW! Floor channel CeraLine 2 F 1200	1200 mm	1300 mm	400 mm	521842	1
Floor channel CeraLine F 1300	1300 mm	1400 mm	500 mm	524010	1
Floor channel CeraLine F 1400	1400 mm	1500 mm	500 mm	524027	1
Floor channel CeraLine F 1500	1500 mm	1600 mm	600 mm	524034	1
Floor channel CeraLine F 1600	1600 mm	1700 mm	600 mm	524041	1
Floor channel CeraLine F 1700	1700 mm	1800 mm	700 mm	524058	1
Floor channel CeraLine F 1800	1800 mm	1900 mm	700 mm	524065	1
Floor channel CeraLine F 1900	1900 mm	2000 mm	800 mm	524072	1
Floor channel CeraLine F 2000	2000 mm	2100 mm	800 mm	524089	1

Options for DALLMER CeraLine F and CeraLine Plan F

- Any made-to-measure length from 500 to 2000 mm can be supplied
- Please enquire!**

Floor channel CeraLine W



DALLMER floor channel CeraLine W

Linear drainage for installation at wall
 Connection: Side outlet, ball-joint adjustable
 0 - 15 °, DN 50, BS 2" sw socket or
 HDPE 56 mm

- with:
- Sound-insulated, height adjustable levelling legs
 - Sanded flange for secure bonding of undertile waterproofing
 - Drain body with removeable trap insert
 - Height adjustable pedestals for levelling the cover-plate
 - Temporary blanking plate
 - Tiling gauges
 - Tile-trim jig

Channel: 304 stainless steel
 Drain body: Polypropylene

DALLMER floor channel CeraLine W 500 - 1200

with one trap

Flow rate tested to DIN EN 1253
 (with 20 mm water over cover plate)

	Required	DALLMER
DN 50	0.8 l/s	0.8 l/s

Item	L 1	L 2	Part no. BS 2"	Part no. DN 50	PU
Floor channel CeraLine W 500	500 mm	600 mm	521316	520111	1
Floor channel CeraLine W 600	600 mm	700 mm	521323	520128	1
Floor channel CeraLine W 700	700 mm	800 mm	521330	520135	1
Floor channel CeraLine W 800	800 mm	900 mm	521347	520142	1
Floor channel CeraLine W 900	900 mm	1000 mm	521354	520159	1
Floor channel CeraLine W 1000	1000 mm	1100 mm	521361	520166	1
Floor channel CeraLine W 1100	1100 mm	1200 mm	521378	520180	1
Floor channel CeraLine W 1200	1200 mm	1300 mm	521385	520173	1

DALLMER floor channel CeraLine W 800 - 2000

with two traps

Flow rate tested to DIN EN 1253
 (with 20 mm water over cover plate)

	Required	DALLMER
DN 50	0.8 l/s	1.4 l/s

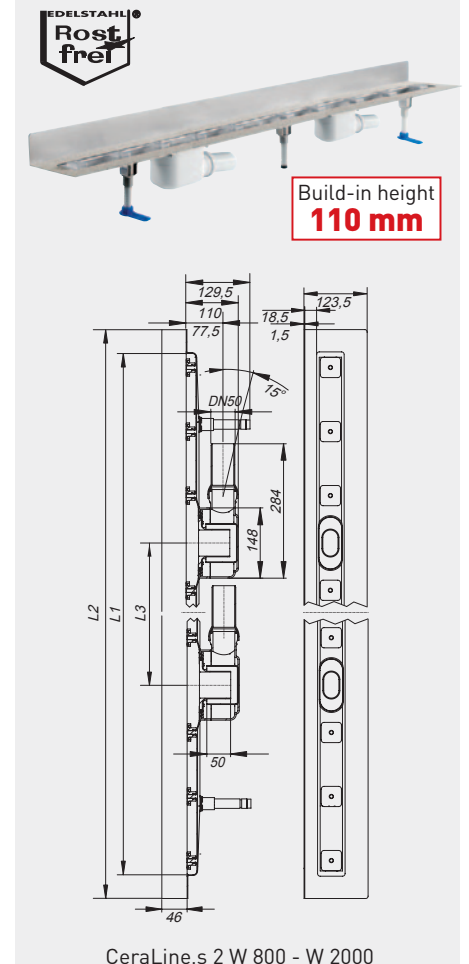
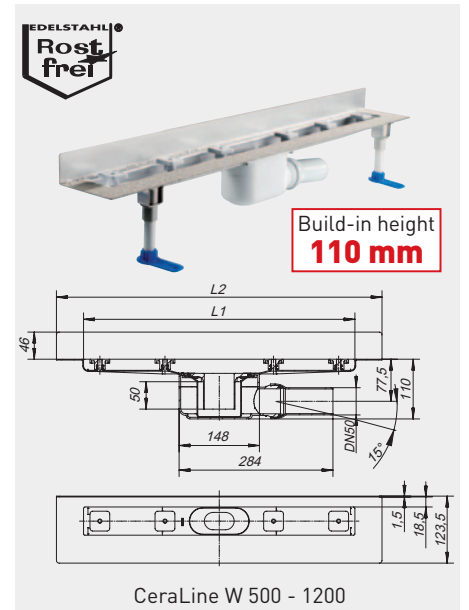
NEW! Channels 800 - 2000 mm long with two traps have a flow rate of 1.4 l/sec:

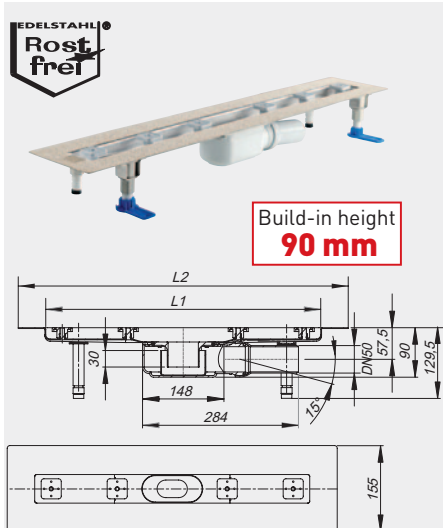
Item	L 1	L 2	L 3	Part no. DN 50	PU
NEW! Floor channel CeraLine 2 W 800	800 mm	900 mm	200 mm	521859	1
NEW! Floor channel CeraLine 2 W 900	900 mm	1000 mm	300 mm	521866	1
NEW! Floor channel CeraLine 2 W 1000	1000 mm	1100 mm	300 mm	521873	1
NEW! Floor channel CeraLine 2 W 1100	1100 mm	1200 mm	400 mm	521880	1
NEW! Floor channel CeraLine 2 W 1200	1200 mm	1300 mm	400 mm	521897	1
Floor channel CeraLine W 1300	1300 mm	1400 mm	500 mm	524096	1
Floor channel CeraLine W 1400	1400 mm	1500 mm	500 mm	524102	1
Floor channel CeraLine W 1500	1500 mm	1600 mm	600 mm	524119	1
Floor channel CeraLine W 1600	1600 mm	1700 mm	600 mm	524126	1
Floor channel CeraLine W 1700	1700 mm	1800 mm	700 mm	524133	1
Floor channel CeraLine W 1800	1800 mm	1900 mm	700 mm	524140	1
Floor channel CeraLine W 1900	1900 mm	2000 mm	800 mm	524157	1
Floor channel CeraLine W 2000	2000 mm	2100 mm	800 mm	524164	1

Options for DALLMER CeraLine W and CeraLine Plan W

- Any made-to-measure length from 500 to 2000 mm can be supplied
- Upstands can be on back, back and one end or back and both ends
- Upstand can be set back for stone, marble wall finish

Please enquire!





CeraLine Plan F 500 - 1200

DALLMER floor channel CeraLine Plan F

Linear drainage

Connection: Side outlet, ball-joint adjustable
0 - 15 °, DN 50, BS 2" sw socket or HDPE 56 mm

- with:
- Sound-insulated, height adjustable levelling legs
 - Sanded flange for secure bonding of undertile waterproofing
 - Drain body with removeable trap insert
 - Height adjustable pedestals for levelling the cover-plate
 - Temporary blanking plate
 - Tiling gauges
 - Tile-trim jig

Channel: 304 stainless steel

Drain body: Polypropylene

DALLMER floor channel CeraLine Plan F 500 - 1200

with one trap

Flow rate tested to DIN EN 1253
(with 20 mm water over cover plate)
DN 50 0.7 l/s

Item	L 1	L 2	Part no. DN 50	PU
Floor channel CeraLine Plan F 500	500 mm	600 mm	523013	1
Floor channel CeraLine Plan F 600	600 mm	700 mm	523020	1
Floor channel CeraLine Plan F 700	700 mm	800 mm	523037	1
Floor channel CeraLine Plan F 800	800 mm	900 mm	523044	1
Floor channel CeraLine Plan F 900	900 mm	1000 mm	523051	1
Floor channel CeraLine Plan F 1000	1000 mm	1100 mm	523068	1
Floor channel CeraLine Plan F 1100	1100 mm	1200 mm	523075	1
Floor channel CeraLine Plan F 1200	1200 mm	1300 mm	523082	1



CeraLine Plan, 2 F 800 - F 2000

DALLMER floor channel CeraLine Plan F 800 - 2000

with two traps

Flow rate tested to DIN EN 1253
(with 20 mm water over cover plate)

	Required	DALLMER
DN 50	0.8 l/s	1.2 l/s

NEW! Channels 800 - 2000 mm long with 2 traps have a flow rate of 1.2 l/sec:

Item	L 1	L 2	L 3	Part no. DN 50	PU
NEW! Floor channel CeraLine Plan 2 F 800	800 mm	900 mm	200 mm	521903	1
NEW! Floor channel CeraLine Plan 2 F 900	900 mm	1000 mm	300 mm	521910	1
NEW! Floor channel CeraLine Plan 2 F 1000	1000 mm	1100 mm	300 mm	521927	1
NEW! Floor channel CeraLine Plan 2 F 1100	1100 mm	1200 mm	400 mm	521934	1
NEW! Floor channel CeraLine Plan 2 F 1200	1200 mm	1300 mm	400 mm	521941	1
Floor channel CeraLine Plan F 1300	1300 mm	1400 mm	500 mm	524508	1
Floor channel CeraLine Plan F 1400	1400 mm	1500 mm	500 mm	524515	1
Floor channel CeraLine Plan F 1500	1500 mm	1600 mm	600 mm	524522	1
Floor channel CeraLine Plan F 1600	1600 mm	1700 mm	600 mm	524539	1
Floor channel CeraLine Plan F 1700	1700 mm	1800 mm	700 mm	524546	1
Floor channel CeraLine Plan F 1800	1800 mm	1900 mm	700 mm	524553	1
Floor channel CeraLine Plan F 1900	1900 mm	2000 mm	800 mm	524560	1
Floor channel CeraLine Plan F 2000	2000 mm	2100 mm	800 mm	524577	1

Options for DALLMER CeraLine F and CeraLine Plan F

- Any made-to-measure length from 500 to 2000 mm can be supplied

Please enquire!

Floor channel CeraLine Plan W



DALLMER floor channel CeraLine Plan W

Linear drainage for installation at wall
 Connection: Side outlet, ball-joint adjustable
 0 - 15 °, DN 50, BS 2" sw socket or HDPE 56 mm

- with:
- Sound-insulated, height adjustable levelling legs
 - Sanded flange for secure bonding of undertile waterproofing
 - Drain body with removeable trap insert
 - Height adjustable pedestals for levelling the cover-plate
 - Temporary blanking plate
 - Tiling gauges
 - Tile-trim jig

Channel: 304 stainless steel

Drain body: Polypropylene

DALLMER floor channel CeraLine Plan W 500 - 1200

with one trap

Flow rate tested to DIN EN 1253
 (with 20 mm water over cover plate)
 DN 50 0.7 l/s

Item	L 1	L 2	Part no. DN 50	PU
Floor channel CeraLine Plan W 500	500 mm	600 mm	523112	1
Floor channel CeraLine Plan W 600	600 mm	700 mm	523129	1
Floor channel CeraLine Plan W 700	700 mm	800 mm	523136	1
Floor channel CeraLine Plan W 800	800 mm	900 mm	523143	1
Floor channel CeraLine Plan W 900	900 mm	1000 mm	523150	1
Floor channel CeraLine Plan W 1000	1000 mm	1100 mm	523167	1
Floor channel CeraLine Plan W 1100	1100 mm	1200 mm	523174	1
Floor channel CeraLine Plan W 1200	1200 mm	1300 mm	523181	1

DALLMER floor channel CeraLine Plan W 800 - 2000

with two traps

Flow rate tested to DIN EN 1253
 (with 20 mm water over cover plate)
 DN 50 Required DALLMER
 0.8 l/s 1.2 l/s

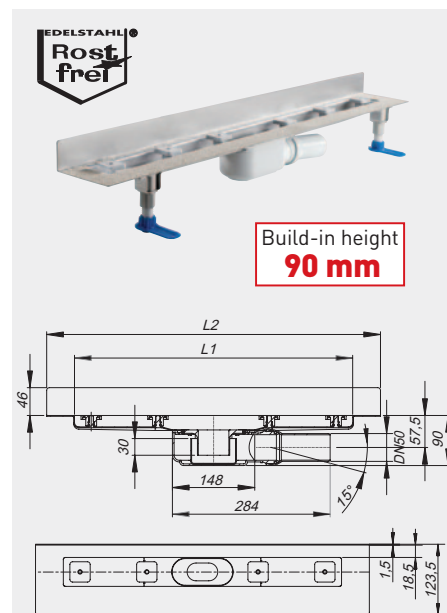
NEW! Channels 800 - 2000 mm long with 2 traps have a flow rate of 1.2 l/sec:

Item	L 1	L 2	L 3	Part no. DN 50	PU
NEW! Floor channel CeraLine Plan 2 W 800	800 mm	900 mm	200 mm	521958	1
NEW! Floor channel CeraLine Plan 2 W 900	900 mm	1000 mm	300 mm	521965	1
NEW! Floor channel CeraLine Plan 2 W 1000	1000 mm	1100 mm	300 mm	521972	1
NEW! Floor channel CeraLine Plan 2 W 1100	1100 mm	1200 mm	400 mm	521989	1
NEW! Floor channel CeraLine Plan 2 W 1200	1200 mm	1300 mm	400 mm	521996	1
Floor channel CeraLine Plan W 1300	1300 mm	1400 mm	500 mm	524584	1
Floor channel CeraLine Plan W 1400	1400 mm	1500 mm	500 mm	524591	1
Floor channel CeraLine Plan W 1500	1500 mm	1600 mm	600 mm	524607	1
Floor channel CeraLine Plan W 1600	1600 mm	1700 mm	600 mm	524614	1
Floor channel CeraLine Plan W 1700	1700 mm	1800 mm	700 mm	524621	1
Floor channel CeraLine Plan W 1800	1800 mm	1900 mm	700 mm	524638	1
Floor channel CeraLine Plan W 1900	1900 mm	2000 mm	800 mm	524645	1
Floor channel CeraLine Plan W 2000	2000 mm	2100 mm	800 mm	524652	1

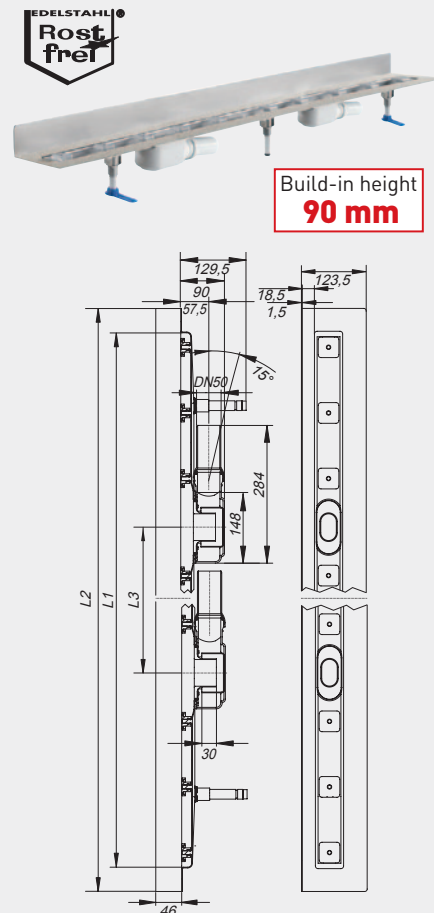
Options for DALLMER CeraLine W and CeraLine Plan W

- Any made-to-measure length from 500 to 2000 mm can be supplied
- Upstands can be on back, back and one end or back and both ends
- Upstand can be set back for stone, marble wall finish

Please enquire!



CeraLine Plan W 500 - 1200



CeraLine Plan, 2 W 800 - W 2000



DALLMER floor channel CeraLine vertical F

Linear drainage

- Connection: · DN 50 vertical outlet
- with: · Sound-insulated, height adjustable levelling legs
- Integral sand coated flange for secure bonding of under-tile waterproofing
- Drain body with removeable trap insert
- Height adjustable screws for levelling the cover-plate
- Temporary blanking plate
- Tiling gauges
- Edge trim jig

Channel: 304 stainless steel
Drain body: Polypropylene



Can be connected to British standard pipework with adaptor part No. 880727 (see page 16).

DALLMER floor channel CeraLine vertical F 500 - 1200

with one floor drain body 40 S

Flow rate tested to DIN EN 1253 (with 20 mm water over cover plate)

	Required	DALLMER
DN 50	0.8 l/s	0.8 l/s

Item	L 1	L 2	Part no. DN 50	PU
F Floor channel CeraLine vertical F 500	500 mm	600 mm	521606	1
F Floor channel CeraLine vertical F 600	600 mm	700 mm	521613	1
F Floor channel CeraLine vertical F 700	700 mm	800 mm	521620	1
F Floor channel CeraLine vertical F 800	800 mm	900 mm	521637	1
F Floor channel CeraLine vertical F 900	900 mm	1000 mm	521644	1
F Floor channel CeraLine vertical F 1000	1000 mm	1100 mm	521651	1
F Floor channel CeraLine vertical F 1100	1100 mm	1200 mm	521668	1
F Floor channel CeraLine vertical F 1200	1200 mm	1300 mm	521675	1

F DALLMER fire protection system 2 (Part No. 515025) applicable



Fire protection class R 30/60/90/120 approval number Z-19.17-1543

DALLMER floor channel CeraLine vertical F 1300 - 2000

with two floor drain bodies CIRCO V with ± 15 mm lateral adjustment

Flow rate tested to DIN EN 1253 (with 20 mm water over cover plate)

	Required	DALLMER
DN 50	0.8 l/s	1.4 l/s

Item	L 1	L 2	L 3	Part no. DN 50	PU
F Floor channel CeraLine vertical F 1300	1300 mm	1400 mm	500 mm	521682	1
F Floor channel CeraLine vertical F 1400	1400 mm	1500 mm	500 mm	521699	1
F Floor channel CeraLine vertical F 1500	1500 mm	1600 mm	600 mm	521705	1
F Floor channel CeraLine vertical F 1600	1600 mm	1700 mm	600 mm	521712	1
F Floor channel CeraLine vertical F 1700	1700 mm	1800 mm	700 mm	521729	1
F Floor channel CeraLine vertical F 1800	1800 mm	1900 mm	700 mm	521736	1
F Floor channel CeraLine vertical F 1900	1900 mm	2000 mm	800 mm	521743	1
F Floor channel CeraLine vertical F 2000	2000 mm	2100 mm	800 mm	521750	1

F DALLMER fire protection system 1 (Part No. 515010) applicable



Fire protection class R 30/60/90/120 approval number Z-19.17-1543

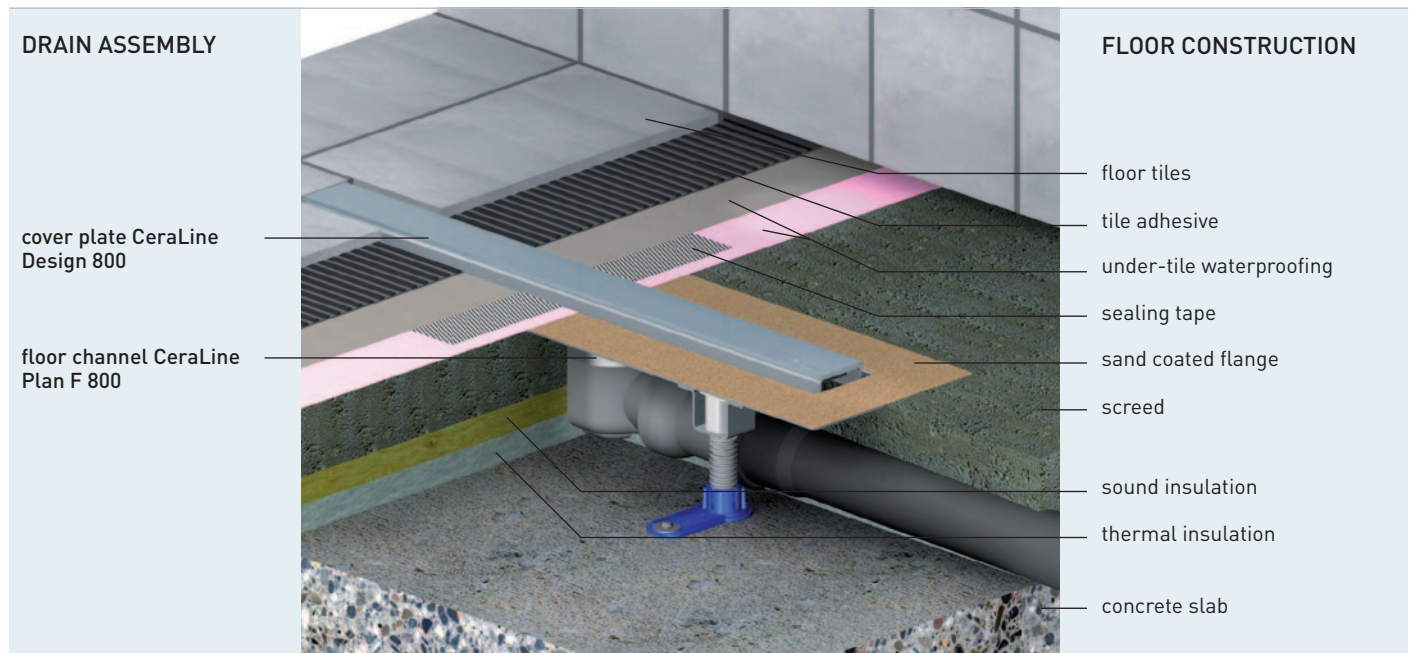
Options for DALLMER CeraLine vertical F

- Any made-to-measure length from 500 to 2000 mm can be supplied
- From 800 - 1200 mm, two traps can be also be fitted for 1.4 l/sec flow rate

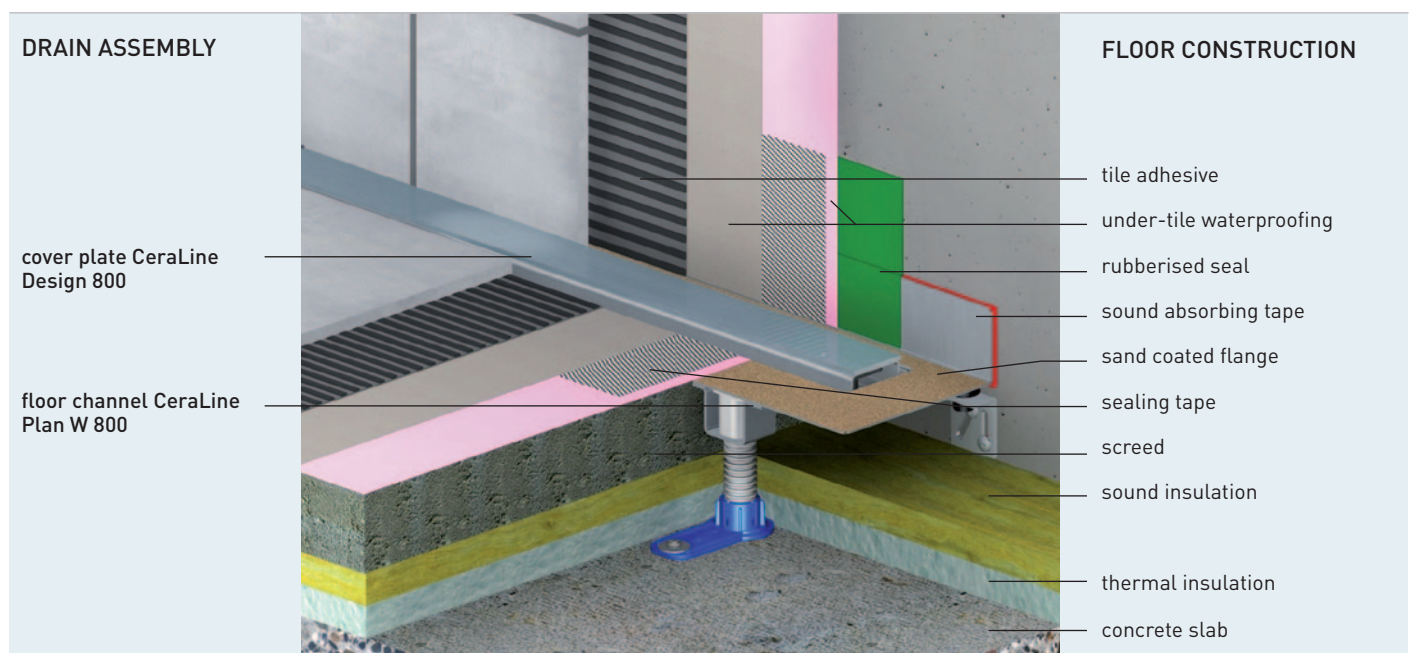
Please enquire!

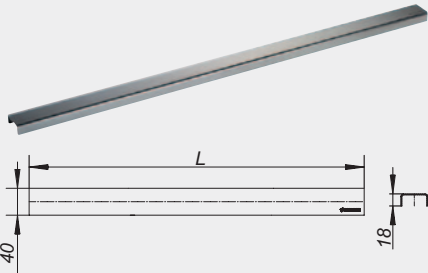
CeraLine and CeraLine Plan Typical installations

Floor channel CeraLine Plan F



Floor channel CeraLine Plan W



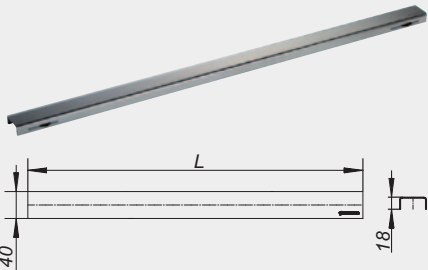


Cover plate CeraLine Standard

DALLMER cover plate CeraLine Standard

Cover plate for all CeraLine channels, suitable for all tile, stone finishes 2 - 16 mm (incl. adhesive), 40 mm wide, 304 stainless steel, polished, Load class K 3 (300kg)

Item	Length	Part no.	PU
Cover plate CeraLine Standard 500	500 mm	520517	1
Cover plate CeraLine Standard 600	600 mm	520524	1
Cover plate CeraLine Standard 700	700 mm	520531	1
Cover plate CeraLine Standard 800	800 mm	520548	1
Cover plate CeraLine Standard 900	900 mm	520555	1
Cover plate CeraLine Standard 1000	1000 mm	520562	1
Cover plate CeraLine Standard 1100	1100 mm	520586	1
Cover plate CeraLine Standard 1200	1200 mm	520579	1
Cover plate CeraLine Standard 1300	1300 mm	524201	1
Cover plate CeraLine Standard 1400	1400 mm	524218	1
Cover plate CeraLine Standard 1500	1500 mm	524225	1
Cover plate CeraLine Standard 1600	1600 mm	524232	1
Cover plate CeraLine Standard 1700	1700 mm	524249	1
Cover plate CeraLine Standard 1800	1800 mm	524256	1
Cover plate CeraLine Standard 1900	1900 mm	524263	1
Cover plate CeraLine Standard 2000	2000 mm	524270	1

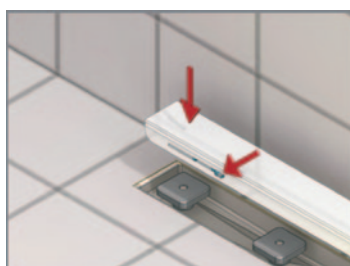


Cover plate CeraLine Standard, lockable

DALLMER cover plate CeraLine Standard, lockable

Cover plate for floor channel CeraLine used for flooring 2-16 mm (incl. adhesive), 40 mm wide, 304 stainless steel, lockable, load class K3 (300kg)

Item	Length	Part no.	PU
Cover plate CeraLine Standard 500, lockable	500 mm	526014	1
Cover plate CeraLine Standard 600, lockable	600 mm	526021	1
Cover plate CeraLine Standard 700, lockable	700 mm	526038	1
Cover plate CeraLine Standard 800, lockable	800 mm	526045	1
Cover plate CeraLine Standard 900, lockable	900 mm	526052	1
Cover plate CeraLine Standard 1000, lockable	1000 mm	526069	1
Cover plate CeraLine Standard 1100, lockable	1100 mm	526076	1
Cover plate CeraLine Standard 1200, lockable	1200 mm	526083	1
Cover plate CeraLine Standard 1300, lockable	1300 mm	526090	1
Cover plate CeraLine Standard 1400, lockable	1400 mm	526106	1
Cover plate CeraLine Standard 1500, lockable	1500 mm	526113	1
Cover plate CeraLine Standard 1600, lockable	1600 mm	526120	1
Cover plate CeraLine Standard 1700, lockable	1700 mm	526137	1
Cover plate CeraLine Standard 1800, lockable	1800 mm	526144	1
Cover plate CeraLine Standard 1900, lockable	1900 mm	526151	1
Cover plate CeraLine Standard 2000, lockable	2000 mm	526168	1



Integrated locking system

Cover plates CeraLine

DALLMER cover plate CeraLine

Design brushed

Cover plate for all CeraLine channels, suitable for all tile, stone finishes 5 – 19 mm (incl. adhesive), 40 mm wide, 304 stainless steel, 3 mm veneer, brushed Load class K 3 (300kg)

Item	Length	Part no.	PU
Cover plate CeraLine Design brushed 500	500 mm	520616	1
Cover plate CeraLine Design brushed 600	600 mm	520623	1
Cover plate CeraLine Design brushed 700	700 mm	520630	1
Cover plate CeraLine Design brushed 800	800 mm	520647	1
Cover plate CeraLine Design brushed 900	900 mm	520654	1
Cover plate CeraLine Design brushed 1000	1000 mm	520661	1
Cover plate CeraLine Design brushed 1100	1100 mm	520685	1
Cover plate CeraLine Design brushed 1200	1200 mm	520678	1
Cover plate CeraLine Design brushed 1300	1300 mm	524287	1
Cover plate CeraLine Design brushed 1400	1400 mm	524294	1
Cover plate CeraLine Design brushed 1500	1500 mm	524300	1
Cover plate CeraLine Design brushed 1600	1600 mm	524317	1
Cover plate CeraLine Design brushed 1700	1700 mm	524324	1
Cover plate CeraLine Design brushed 1800	1800 mm	524331	1
Cover plate CeraLine Design brushed 1900	1900 mm	524348	1
Cover plate CeraLine Design brushed 2000	2000 mm	524355	1

DALLMER cover plate CeraLine

Design brushed finish, lockable

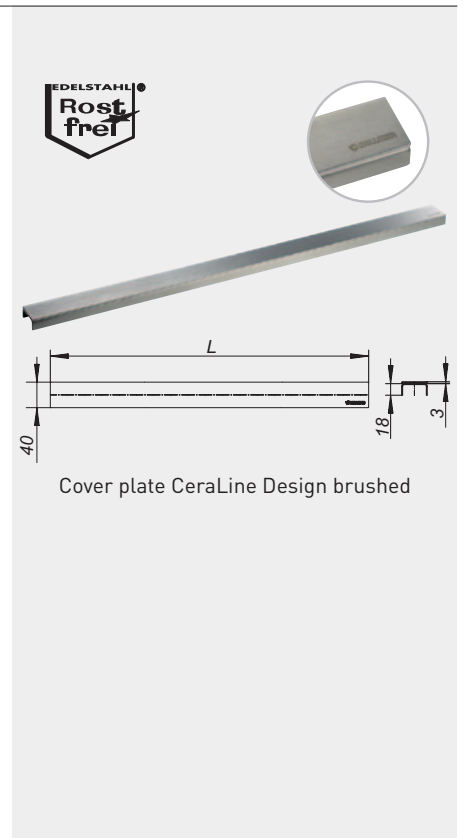
Cover plate for floor channel CeraLine used for flooring 5-19 mm (incl. adhesive), 40 mm wide, 3 mm solid 304 stainless steel, lockable, load class K3 (300kg)

Item	Length	Part no.	PU
Cover plate CeraLine Design brushed 500, lockable	500 mm	526182	1
Cover plate CeraLine Design brushed 600, lockable	600 mm	526199	1
Cover plate CeraLine Design brushed 700, lockable	700 mm	526205	1
Cover plate CeraLine Design brushed 800, lockable	800 mm	526212	1
Cover plate CeraLine Design brushed 900, lockable	900 mm	526229	1
Cover plate CeraLine Design brushed 1000, lockable	1000 mm	526236	1
Cover plate CeraLine Design brushed 1100, lockable	1100 mm	526243	1
Cover plate CeraLine Design brushed 1200, lockable	1200 mm	526250	1
Cover plate CeraLine Design brushed 1300, lockable	1300 mm	526267	1
Cover plate CeraLine Design brushed 1400, lockable	1400 mm	526274	1
Cover plate CeraLine Design brushed 1500, lockable	1500 mm	526281	1
Cover plate CeraLine Design brushed 1600, lockable	1600 mm	526298	1
Cover plate CeraLine Design brushed 1700, lockable	1700 mm	526304	1
Cover plate CeraLine Design brushed 1800, lockable	1800 mm	526311	1
Cover plate CeraLine Design brushed 1900, lockable	1900 mm	526328	1
Cover plate CeraLine Design brushed 2000, lockable	2000 mm	526335	1

DALLMER stainless steel polish

to clean and polish uncoated stainless steel covers with 100 ml cleaner, applicator, buffing pad, manual

Item	Part no.	PU
Stainless steel polish	520494	1

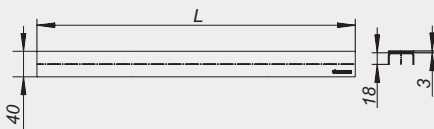




Cover plate CeraLine Design polished



Cover plate CeraLine Design matt black

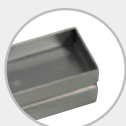


DALLMER cover plate CeraLine Design polished and matt black

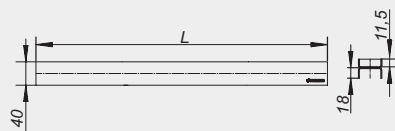
Cover plate for all CeraLine channels,
suitable for all tile, stone finishes 5 – 19 mm
(incl. adhesive), 40 mm wide,
304 stainless steel, 3 mm veneer, mirror
polished or matt black
Load class K 3 (300kg)

Item	Length	Part no.	PU
Cover plate CeraLine Design polished 500	500 mm	523716	1
Cover plate CeraLine Design polished 600	600 mm	523723	1
Cover plate CeraLine Design polished 700	700 mm	523730	1
Cover plate CeraLine Design polished 800	800 mm	523747	1
Cover plate CeraLine Design polished 900	900 mm	523754	1
Cover plate CeraLine Design polished 1000	1000 mm	523761	1
Cover plate CeraLine Design polished 1100	1100 mm	523778	1
Cover plate CeraLine Design polished 1200	1200 mm	523785	1

Cover plate CeraLine Design matt black 500	500 mm	523815	1
Cover plate CeraLine Design matt black 600	600 mm	523822	1
Cover plate CeraLine Design matt black 700	700 mm	523839	1
Cover plate CeraLine Design matt black 800	800 mm	523846	1



Cover plate CeraLine Custom



DALLMER cover plate CeraLine Custom

Cover plate for all CeraLine channels,
with recess for customer's individual floor finish
suitable for all tile, stone finishes 16 – 30 mm
(incl. adhesive), 40 mm wide,
304 stainless steel,
Load class K 3 (300 kg)

Item	Length	Part no.	PU
Cover plate CeraLine Custom 500	500 mm	520715	1
Cover plate CeraLine Custom 600	600 mm	520722	1
Cover plate CeraLine Custom 700	700 mm	520739	1
Cover plate CeraLine Custom 800	800 mm	520746	1
Cover plate CeraLine Custom 900	900 mm	520753	1
Cover plate CeraLine Custom 1000	1000 mm	520760	1
Cover plate CeraLine Custom 1100	1100 mm	520784	1
Cover plate CeraLine Custom 1200	1200 mm	520777	1
Cover plate CeraLine Custom 1300	1300 mm	524362	1
Cover plate CeraLine Custom 1400	1400 mm	524379	1
Cover plate CeraLine Custom 1500	1500 mm	524386	1
Cover plate CeraLine Custom 1600	1600 mm	524393	1
Cover plate CeraLine Custom 1700	1700 mm	524409	1
Cover plate CeraLine Custom 1800	1800 mm	524416	1
Cover plate CeraLine Custom 1900	1900 mm	524423	1
Cover plate CeraLine Custom 2000	2000 mm	524430	1

Cover plates CeraLine

DALLMER cover plate CeraLine glass

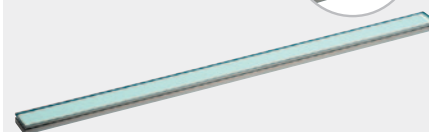
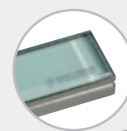
Cover plate for all CeraLine channels, suitable for all tile, stone finishes 8 – 22 mm (incl. adhesive), 40 mm wide, 304 stainless steel with glass insert green, red, black, white

Item	Length	Part no.	PU
Cover plate CeraLine Glass green 500	500 mm	523211	1
Cover plate CeraLine Glass green 600	600 mm	523228	1
Cover plate CeraLine Glass green 700	700 mm	523235	1
Cover plate CeraLine Glass green 800	800 mm	523242	1
Cover plate CeraLine Glass green 900	900 mm	523259	1
Cover plate CeraLine Glass green 1000	1000 mm	523266	1
Cover plate CeraLine Glass green 1100	1100 mm	523273	1
Cover plate CeraLine Glass green 1200	1200 mm	523280	1
Cover plate CeraLine Glass red 500	500 mm	523310	1
Cover plate CeraLine Glass red 600	600 mm	523327	1
Cover plate CeraLine Glass red 700	700 mm	523334	1
Cover plate CeraLine Glass red 800	800 mm	523341	1
Cover plate CeraLine Glass red 900	900 mm	523358	1
Cover plate CeraLine Glass red 1000	1000 mm	523365	1
Cover plate CeraLine Glass red 1100	1100 mm	523372	1
Cover plate CeraLine Glass red 1200	1200 mm	523389	1
Cover plate CeraLine Glass black 500	500 mm	523419	1
Cover plate CeraLine Glass black 600	600 mm	523426	1
Cover plate CeraLine Glass black 700	700 mm	523433	1
Cover plate CeraLine Glass black 800	800 mm	523440	1
Cover plate CeraLine Glass black 900	900 mm	523457	1
Cover plate CeraLine Glass black 1000	1000 mm	523464	1
Cover plate CeraLine Glass black 1100	1100 mm	523471	1
Cover plate CeraLine Glass black 1200	1200 mm	523488	1
Cover plate CeraLine Glass white 500	500 mm	523518	1
Cover plate CeraLine Glass white 600	600 mm	523525	1
Cover plate CeraLine Glass white 700	700 mm	523532	1
Cover plate CeraLine Glass white 800	800 mm	523549	1
Cover plate CeraLine Glass white 900	900 mm	523556	1
Cover plate CeraLine Glass white 1000	1000 mm	523563	1
Cover plate CeraLine Glass white 1100	1100 mm	523570	1
Cover plate CeraLine Glass white 1200	1200 mm	523587	1

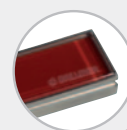
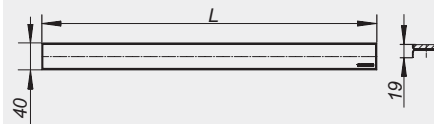
DALLMER cover plate CeraLine teak

Cover plate for all CeraLine channels, suitable for all floor finishes 8 – 22 mm (incl. adhesive), 40 mm wide, 304 stainless steel with teak-wood insert

Item	Length	Part no.	PU
Cover plate CeraLine Teak 500	500 mm	523617	1
Cover plate CeraLine Teak 600	600 mm	523624	1
Cover plate CeraLine Teak 700	700 mm	523631	1
Cover plate CeraLine Teak 800	800 mm	523648	1
Cover plate CeraLine Teak 900	900 mm	523655	1
Cover plate CeraLine Teak 1000	1000 mm	523662	1
Cover plate CeraLine Teak 1100	1100 mm	523679	1
Cover plate CeraLine Teak 1200	1200 mm	523686	1



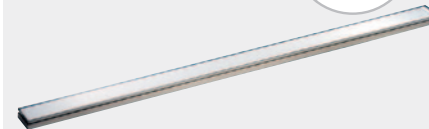
Cover plate CeraLine glass green



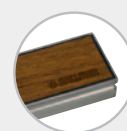
Cover plate CeraLine glass red



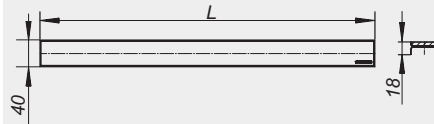
Cover plate CeraLine glass black

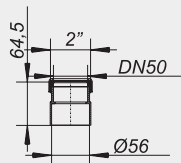


Cover plate CeraLine glass white



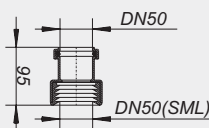
Cover plate CeraLine teak





DALLMER coupling
 DN 50 compression joint with solvent weld socket BS 5255 2"
 material: ABS

Item	Part no.	PU
coupling DN 50 x BS 2"	880727	10



DALLMER pipe coupling HT/SML
 for quick connection between plastic and SML cast iron pipework, including seal
 material: polypropylene rubber

Item	Dimension	Part no.	PU
Pipe couplings	DN 50 x DN 50	880024	30



DALLMER natural stone kit
 Extra length pedestals (supplied x 2) for height adjustment of CeraLine cover plate in floor finishes greater than 14 mm thickness e.g. natural stone

CeraLine:	kits needed
500 - 600	2
700 - 1000	3
1100 - 1200	4
1300 - 1700	5
1800 - 2000	6

Combination with cover plate CeraLine:	height adjustable
Standard	15 - 29 mm
Design	18 - 32 mm
Glass	22 - 36 mm
Teak	21 - 35 mm
Custom	29 - 43 mm

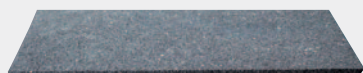
Item	Part no.	PU
Natural stone kit	520913	1



DALLMER adjustable pedestals
 Standard height pedestals (supplied x 2)
 available as spare parts

CeraLine:	kits needed
500 - 600	2
700 - 1000	3
1100 - 1200	4
1300 - 1700	5
1800 - 2000	6

Item	Part no.	PU
Adjustable pedestal kit, standard height	521019	1



Sound-insulating pad CeraLine

DALLMER sound-insulating pad CeraLine

for use with floor channel CeraLine.
 Tested to conform to DIN 4109/VDI 4100, certificat P-BA 221/2008 for use with CeraLine

Item	Dimension	Part no.	PU
sound-insulating pad CeraLine	500 x 250 x 8 mm	520869	1

Special note:
 Channels 1300 - 2000 needs two sound-insulating pads CeraLine.

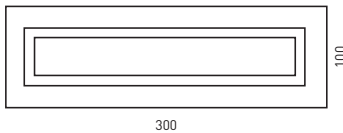




CeraNiveau

Modern design with established technology

A 100 covers



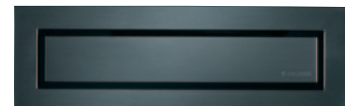
Stainless steel brushed



Antique bronze



Stainless steel polished



Stainless steel matt black

- can be used in a level access shower or as a bathroom drain
- choose from four attractively finished cover plates, to create an individual look in your bathroom
- the reinforcement (steel mesh) embeds the drain securely within the screed
- polymer concrete collar with integrated drain body form a stable and water-proof unit
- conforming to DIN EN 1253
- multiple awards for good design



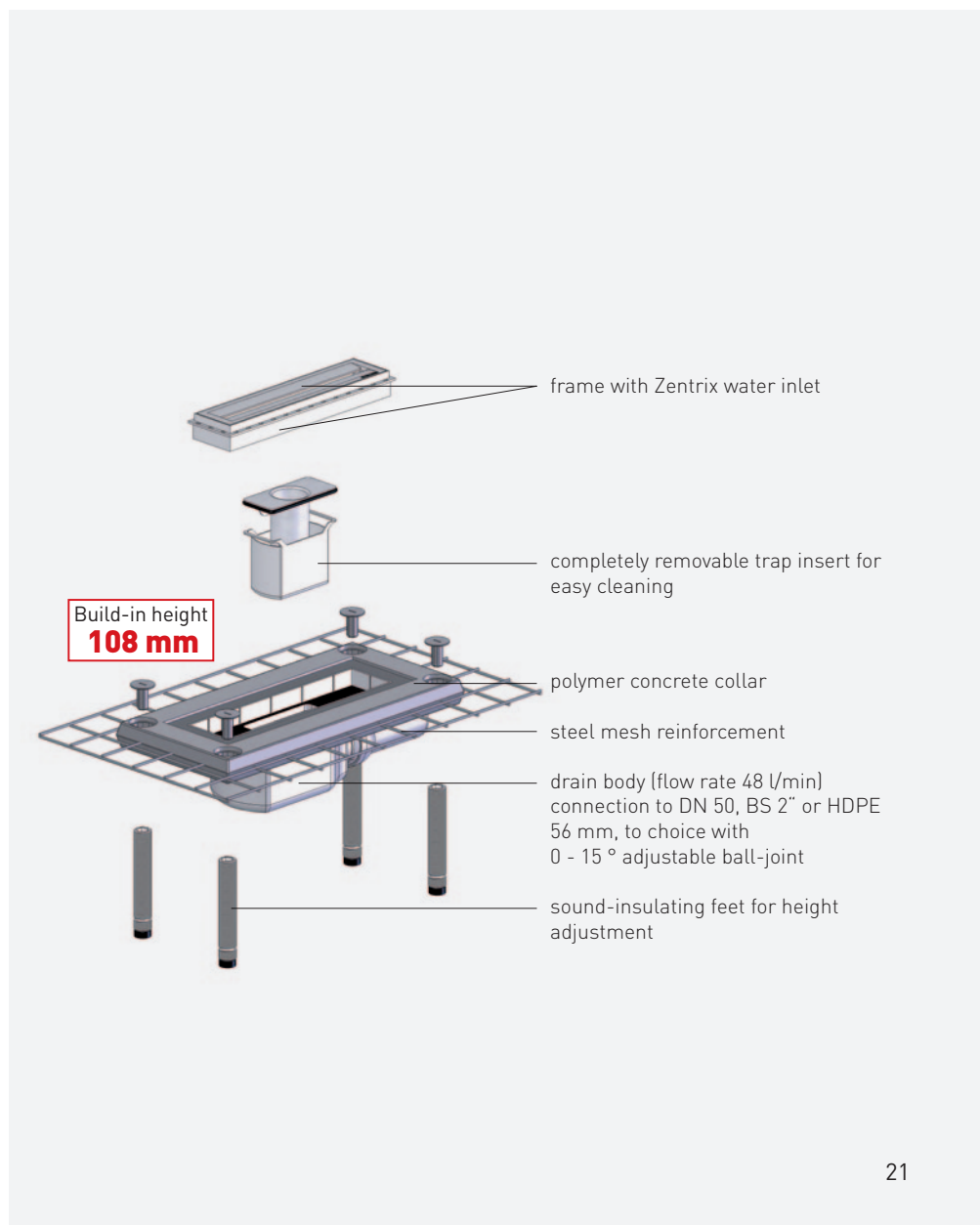


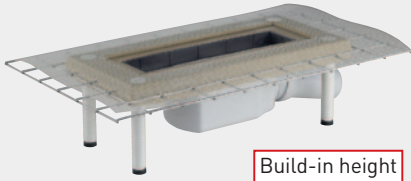
Zentrix

The shower drain as sculpture

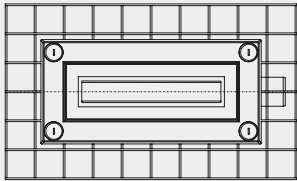
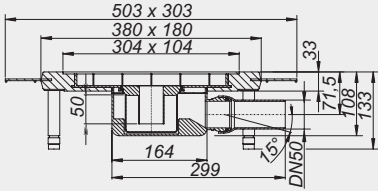


- drainage design taken to the highest level
- fits CeraNiveau drain body for use in level access showers
- rectangular drain with sculpted stainless steel water inlet
- high flow capacity through a minimal axial slot
- reddot 'best of the best 2008' winner as well as many other design awards





Build-in height
108 mm



DALLMER floor drain body CeraNiveau

conforming to DIN EN 1253

Connection: · Side outlet, ball-joint adjustable 0 - 15 °, DN 50, BS 2" sw socket or HDPE 56 mm

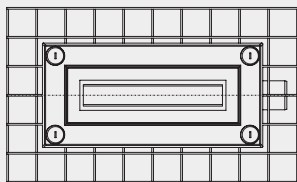
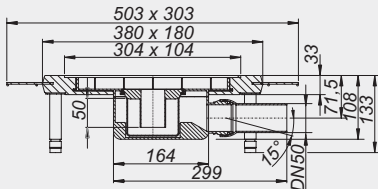
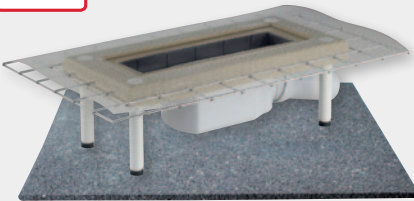
with: · Polymer concrete collar with steel mesh reinforcement
· Sound absorbing and height adjustable levelling legs
· Laterally adjustable upper collar
· Glassfibre mat reinforcement
· Removable trap insert

Drain body: Polypropylene

Flow rate tested to DIN EN 1253 (with 20 mm water over cover plate)		
	Required	DALLMER
DN 50	0.8 l/s	0.8 l/s

Item	Part no. BS 2"	Part no. DN 50	PU
Floor drain body CeraNiveau	511034	511003	1

NEW!



DALLMER sound-proofing floor drain body CeraNiveau

conforming to DIN EN 1253
tested to conform to DIN 4109/VDI 4100, certificate P-BA 224/2008

Connection: · Side outlet, ball-joint adjustable 0 - 15 °, DN 50, BS 2" sw socket or HDPE 56 mm

with: · Polymer concrete collar with steel mesh reinforcement
· Sound absorbing and height adjustable levelling legs
· Laterally adjustable upper collar
· Glassfibre mat reinforcement
· Removable trap insert
· Sound-insulating pad 500 x 500 mm

Drain body: Polypropylene

Flow rate tested to DIN EN 1253 (with 20 mm water over cover plate)		
	Required	DALLMER
DN 50	0.8 l/s	0.8 l/s

Item	Part no. DN 50	PU
Sound-proofing floor drain body CeraNiveau	511805	1

Covers CeraNiveau



DALLMER cover CeraNiveau A 100

used with CeraNiveau floor drain body,
height adjustable up to 15 mm
frame: ABS, 300 x 100 mm

DALLMER cover CeraNiveau A 100, stainless steel brushed

Cover plate: 304 stainless steel, satin finished

DALLMER cover CeraNiveau A 100, stainless steel polished

Cover plate: 304 stainless steel, polished

DALLMER cover CeraNiveau A 100, stainless steel matt black

Cover plate: 304 stainless steel, matt black

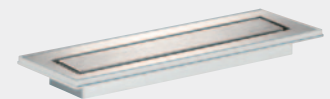
DALLMER cover CeraNiveau A 100, antique bronze*

Cover plate: antique bronze

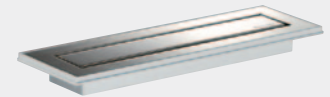
* Bronze, material properties:

Bronze is a corrosion and wear-resistant alloy of copper and tin. The colour of bronze changes under environmental influence and this patina is a particularly attractive feature.

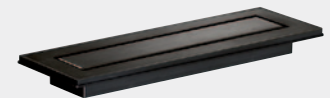
Item	Size	Part no.	PU
Cover CeraNiveau A 100, stainless steel brushed	300 x 100 mm	511102	1
Cover CeraNiveau A 100, stainless steel polished	300 x 100 mm	511119	1
Cover CeraNiveau A 100, stainless steel matt black	300 x 100 mm	511126	1
Cover CeraNiveau A 100, antique bronze	300 x 100 mm	511133	1



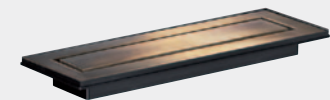
A 100, stainless steel brushed



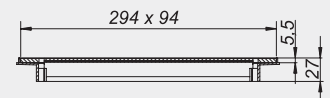
A 100, stainless steel polished



A 100, stainless steel matt black



A 100, antique bronze



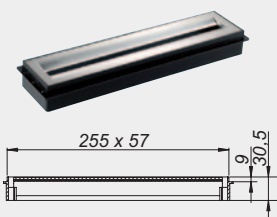
Covers Zentrix



DALLMER cover CeraNiveau Zentrix RS 60, matt stainless steel

used with CeraNiveau floor drain body,
height adjustable up to 15 mm
frame: ABS, 255 x 57 mm, black
cover: 304 stainless steel, matt

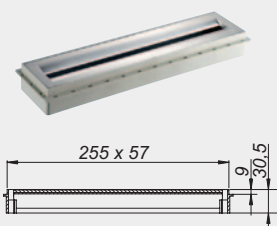
Item	Part no.	PU
Cover CeraNiveau Zentrix RS 60, matt stainless steel	511300	1

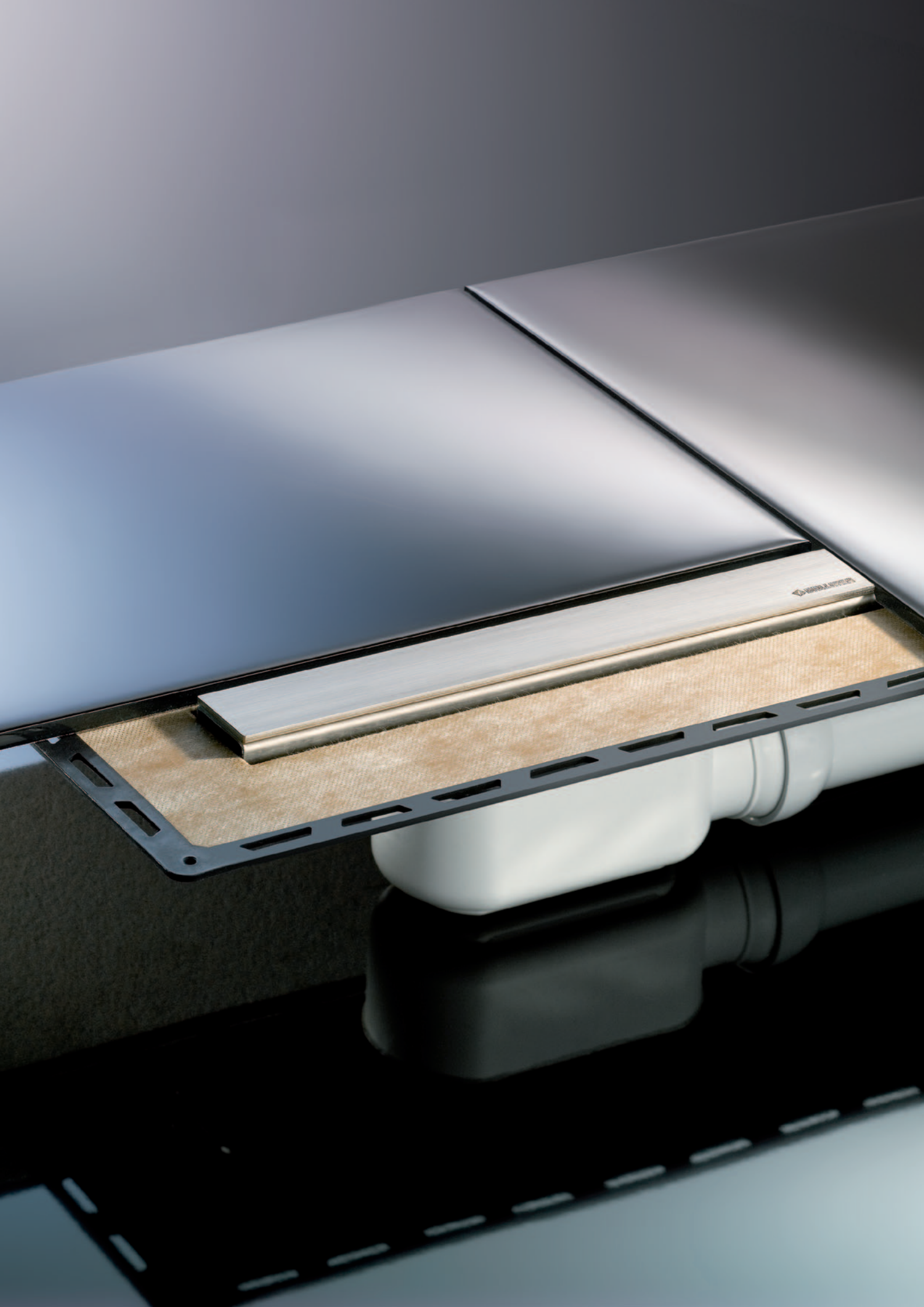


DALLMER cover CeraNiveau Zentrix RG 60, matt stainless steel

used with CeraNiveau floor drain body,
height adjustable up to 15 mm
frame: ABS, 255 x 57 mm, grey
cover: 304 stainless steel, matt

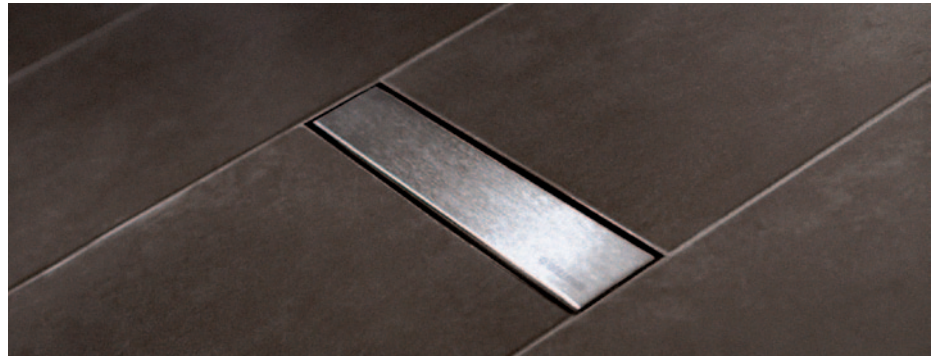
Item	Part no.	PU
Cover CeraNiveau Zentrix RG 60, matt stainless steel	511249	1



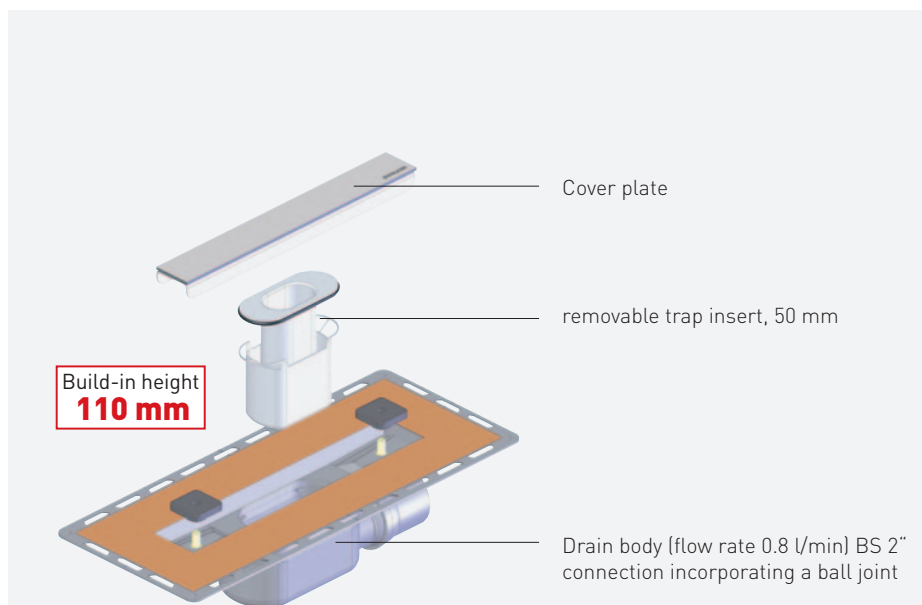


SimpliLine

Linear drainage simplified

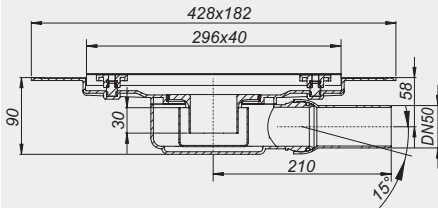


- Innovative 'short' linear drain with integral trap
- for new-build or renovation
- low build-in height
- integrated flange for under-tile waterproofing
- stylish, stainless steel cover
- available with 50 mm or 30 mm water seal

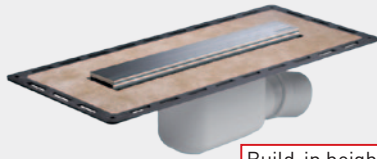




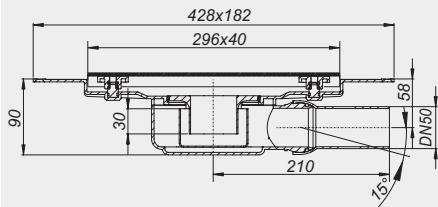
Build-in height
110 mm



Linear drain SimpliLine 300 Standard



Build-in height
110 mm



Linear drain SimpliLine 300 Design

DALLMER linear drain SimpliLine 300

Connection: Side outlet, with ball-joint adjustable 0 - 15 °, DN 50, BS 2" sw socket or HDPE 56 mm

- with:
- Waterproofing flange with fleece surface
 - 50 mm water seal
 - Trap insert easily removable for cleaning
 - Height adjustable pedestals to level cover with mosaic, tile, stone etc
 - Tiling gauge

Drain body: Polypropylene

Flow rate tested to DIN EN 1253 (with 20 mm water over cover plate)

DN 50 0.8 l/s

DALLMER linear drain SimpliLine 300 Standard

Cover plate: 304 stainless steel, 300 x 40 mm
Load class K 3 (300 kg)

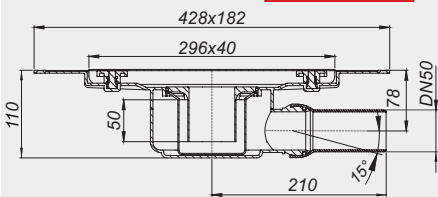
DALLMER linear drain SimpliLine 300 Design

Cover plate: 304 stainless steel, 300 x 40 mm
3 mm veneer, satin finish, Load class K3 (300kg)

Item	Dimension cover plate	Part no. BS 2"	Part no. DN 50	PU
Linear drain SimpliLine 300 Standard	300 x 40 mm	530219	530264	1
Linear drain SimpliLine 300 Design	300 x 40 mm	530226	530271	1



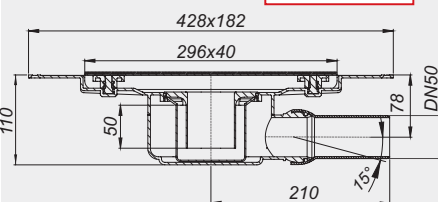
Build-in height
90 mm



Linear drain SimpliLine 300 Plan Standard



Build-in height
90 mm



Linear drain SimpliLine 300 Plan Design

DALLMER linear drain SimpliLine Plan 300

Connection: Side outlet, with ball-joint adjustable 0 - 15 °, DN 50, BS 2" sw socket or HDPE 56 mm

- with:
- Waterproofing flange with fleece surface
 - 30 mm water seal
 - Trap insert easily removable for cleaning
 - Height adjustable pedestals to level cover with mosaic, tile, stone etc
 - Tiling gauge

Drain body: Polypropylene

Flow rate tested to DIN EN 1253 (with 20 mm water over cover plate)

DN 50 0.7 l/s

DALLMER linear drain SimpliLine Plan 300 Standard

Cover plate: 304 stainless steel, 300 x 40 mm
load class K 3 (300 kg)

DALLMER linear drain SimpliLine Plan 300 Design

Cover plate: 304 stainless steel, 300 x 40 mm
3 mm veneer, satin finish, Load class K 3 (300 kg)

Item	Dimension cover plate	Part no. DN 50	PU
Linear drain SimpliLine Plan 300 Standard	300 x 40 mm	530103	1
Linear drain SimpliLine Plan 300 Design	300 x 40 mm	530202	1

Linear drain SimpliLine vertical 300

DALLMER linear drain SimpliLine vertical 300

Connection: Vertical outlet, DN 50, BS 2" sw socket or HDPE 56 mm

- with:
- Waterproofing flange with fleece surface
 - 50 mm water seal
 - Trap insert easily removable for cleaning
 - Height adjustable pedestals to level cover with mosaic, tile, stone etc
 - Tiling gauge
- Drain body: Polypropylene

Flow rate tested to DIN EN 1253 (with 20 mm water over cover plate)

DN 50 0.7 l/s





Can be connected to British standard pipework with adaptor part No. 880727 (see page 16).


DALLMER linear drain SimpliLine vertical Standard 300

Cover plate: 304 stainless steel, 300 x 40 mm
Load class K 3 (300 kg)

DALLMER linear drain SimpliLine vertical Design 300

Cover plate: 304 stainless steel, 300 x 40 mm
3 mm veneer, satin finish,
Load class K3 (300kg)

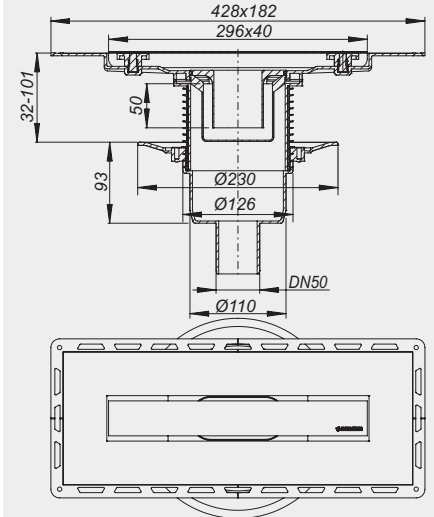
Item	Dimension cover plate	Part no. DN 50	PU
 Linear drain SimpliLine vertical Standard 300	300 x 40 mm	530301	1
 Linear drain SimpliLine vertical Design 300	300 x 40 mm	530318	1

 DALLMER fire protection system 2 (Part No. 515025) applicable



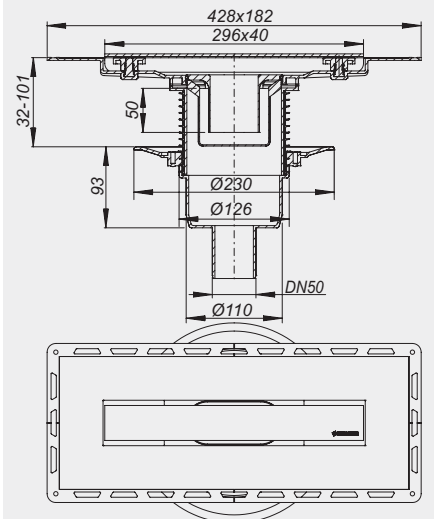
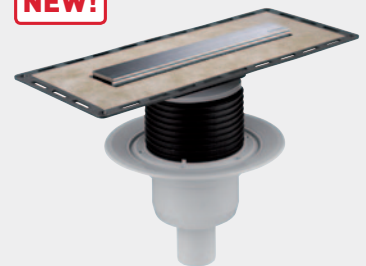
Fire protection class R 30/60/90/120 approval number Z-19.17-1543

NEW!



Linear drain SimpliLine vertical Standard 300

NEW!



Linear drain SimpliLine vertical Design 300

Represented by

