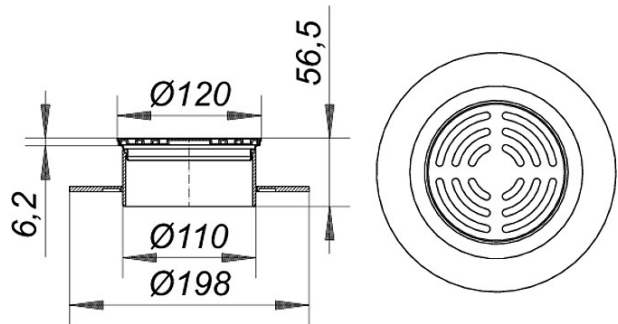


16. March 2012

## grating VR, S 15/ d: 120 mm

Product Number: **400451**  
 EAN: 4001636400451  
 Discount group: 5



### Specification clause

for CeraDrain S 15 and TistoDrain S 15  
 height adjustable up to 40 mm with 13 mm  
 lateral adjustment,  
 with centring collar  
 spigot: ABS  
 frame: 304 stainless steel, 120 mm  
 grate: 115 mm diameter circular,  
 304 stainless steel, class K 3

Product No.	Description	Dimensions
563002	collar CeraDrain S 15	
563200	collar TistoDrain S 15	
495846	self-closing flap-valve S 10/12, 108,5 mm	