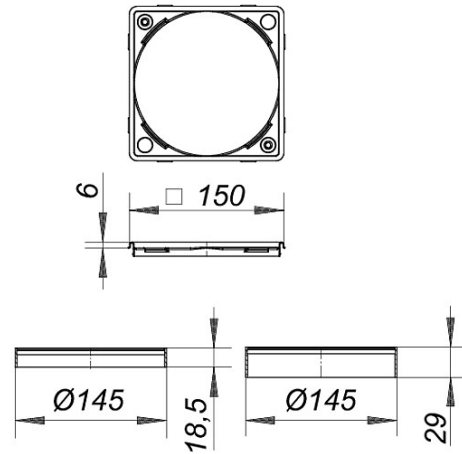


16. March 2012

frame S 15/150, 304L, 150 x 150 mm

Product Number: **503077**
 EAN: 4001636503077
 Discount group: 5



Specification clause

for CeraDrain S 15 and TistoDrain S 15
 spigot: 1 x 16 mm, 1 x 42,5 mm, ABS
 dimension: 150 x 150 mm
 frame: stainless steel

Product No.	Description	Dimensions
563002	collar CeraDrain S 15	
563200	collar TistoDrain S 15	