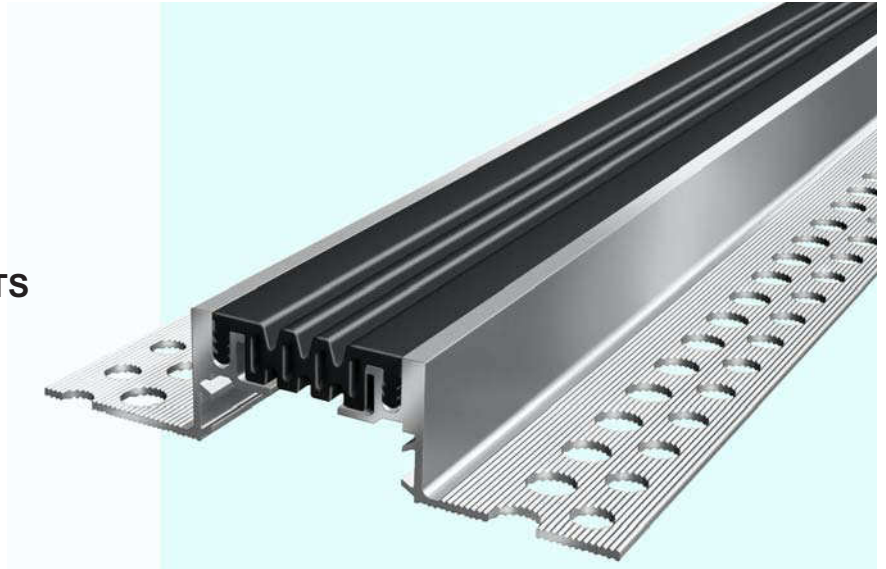


SERIES FP 55/... 4S

FOR WALLS AND FLOORS

EXPANSION JOINT SYSTEMS

- INSERT REPLACEABLE AT ANY TIME
- POSITIVE CONNECTION OF PRODUCTION LENGTHS BY USE OF CONNECTING PIECES
- PROFILE ABSORBS SETTLEMENTS
- MOVEMENT CAPACITY 22 MM
- FOR JOINT WIDTHS UP TO 58 MM



TECHNICAL DATA

Profile	Joint width max. mm	Total movement mm	Visible width of profile mm	Total width of profile mm	Installation height mm	*Load capacity private cars kN	*Load capacity lorries (DIN 1072) kN	Load capacity fork lift trucks (DIN 1055) kN
FP 55/2000-4S	58	22 +/-11	63	158	20	30	300	not allowed
FP 55/2500-4S	58	22 +/-11	63	158	25	30	300	not allowed
FP 55/3500-4S	58	22 +/-11	63	158	35	30	300	not allowed
FP 55/5000-4S	58	22 +/-11	63	158	50	30	300	not allowed
FP 55/7500-4S	58	22 +/-11	63	158	75	30	300	not allowed

Larger installation heights on request

*not designed for permanent use

MATERIAL

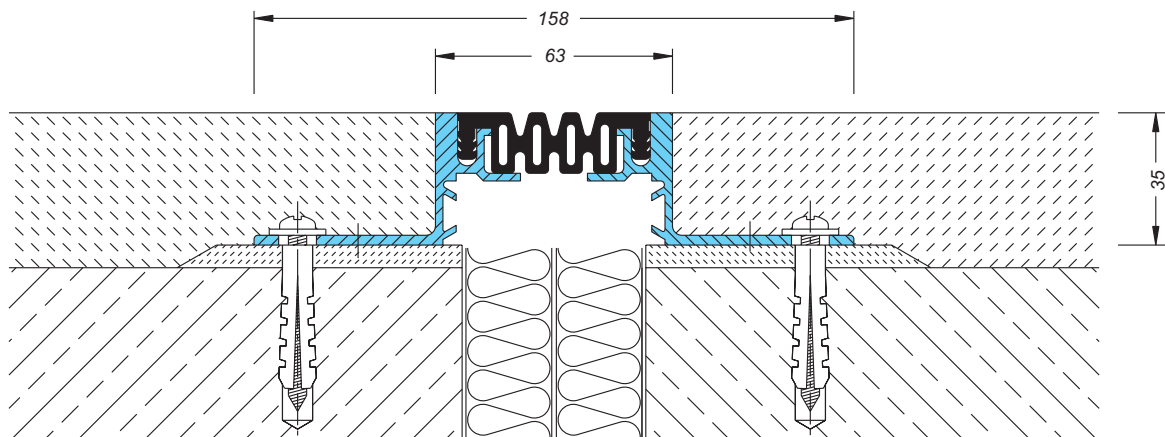
Aluminium side plates with perforated mounting brackets.
Flexible high quality elastomeric insert, long wearing, weather resistant, temperature resistant (-30°C to + 120°C), extensively resistant to oils, acids and bitumen.

Production length: 4 m, Standard colours: black, grey

Corner versions: page 36–37

Installation instructions: page 39

For installation in asphalt, please ask for our technical advice.



FP 55/3500 4S

Scale 1 : 2