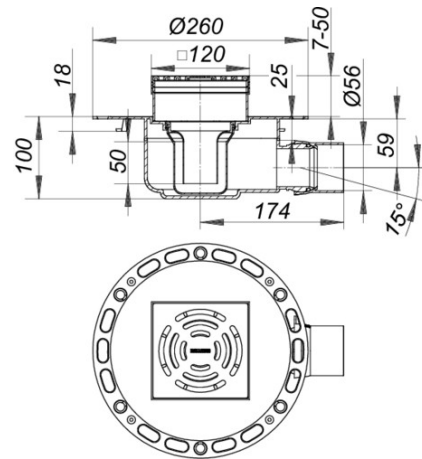


15. March 2012

## floor drain Fast Trap, BS2", 120 x 120 mm

Product Number: **513137**  
 EAN: 4001636513137  
 Discount group: 5



### Specification clause

outlet: BS2" horizontal, ball-joint  
 adjustable 0 - 15  
 with: flange with fleece surface  
 removable trap insert  
 temporary blanking plate  
 height adjustable grating  
 material: polypropylene  
 grate: 304 stainless steel, class K 3

Product No.	Description	Dimensions
495730	extension C 50, 120 x 40 mm	d: 120 mm
495709	frame CK 12, 120 x 120 mm	120 x 120 mm
501097	grate EN 115	115 x 115 mm