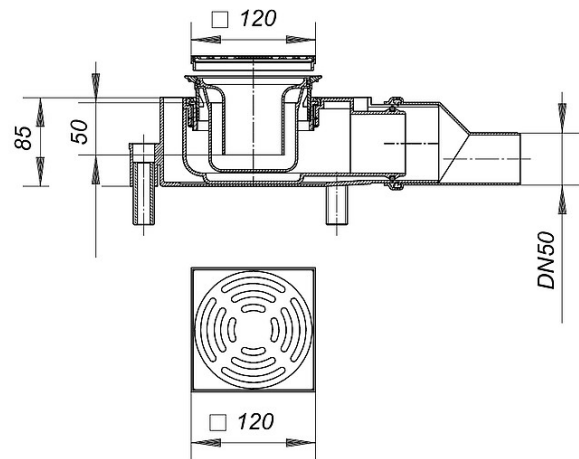


16. March 2012

floor drain CIRCO 50.1

Product Number: **513519**
 EAN: 4001636513519
 Discount group: 5



Specification clause

conforming to DIN EN 1253
 only for use with CeraFundo shower underlays
 with: 15 mm lateral adjustment
 height adjustable levelling legs
 removable trap insert
 temporary blanking plate and
 assembly key
 grate: 304 stainless steel,
 class K 3 (300 kg)
 material: polypropylene

Product No.	Description	Dimensions
495709	frame CK 12, 120 x 120 mm	120 x 120 mm
501080	grate E 115	115 x 115 mm

Product No.	Description	Dimensions
495716	frame CK 10, 100 x 100 mm	95 x 95 mm
495358	frame CS 12, 120 x 120 mm	120 x 120 mm
495723	frame CSR 12, 120 mm	d: 120 mm
501097	grate EN 115	115 x 115 mm
501615	grate Loire 115, 115 x 115 mm	

16. March 2012

501646	grate Nil 115, 115 x 115 mm	
501639	grate Orinoco 115, 115 x 115 mm	
501585	grate Quadra 115 x 115 mm	
501622	grate Seine 115, 115 x 115 mm	
501653	grate Yukon 115, 115 x 115 mm	
513625	shower underlay CeraFundo 100 x 100, central	1000 x 1000 mm
513663	shower underlay CeraFundo 100 x 100, off-set, 260 mm	1000 x 1000 mm
513632	shower underlay CeraFundo 120 x 120, central	1200 x 1200 mm
513670	shower underlay CeraFundo 120 x 120, off-set, 260 mm	1200 x 1200 mm
513649	shower underlay CeraFundo 150 x 150, central	1500 x 1500 mm
513687	shower underlay CeraFundo 150 x 150, off-set, 260 mm	1500 x 1500 mm
513618	shower underlay CeraFundo 90 x 120, central	900 x 1200 mm
513656	shower underlay CeraFundo 90 x 90, off-set, 260 mm	900 x 900 mm
513724	shower underlay CeraFundo Corner 100 x 100, off-set	1000 x 1000 mm
513717	shower underlay CeraFundo Corner 90 x 90, off-set	900 x 900 mm
513731	shower underlay CeraFundo pentagon, central	1200 x 1200 mm
513700	shower underlay CeraFundo, 180 x 90, off-set, 350 mm	1800 x 900 mm
513601	shower underlay CeraFundo, 90 x 90, central	900 x 900 mm