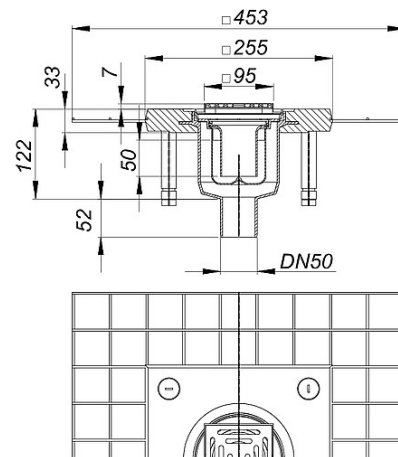


15. March 2012

floor drain CeraDrain 49 K 10

Product Number: **513410**
 EAN: 4001636513410
 Discount group: 5



Specification clause

conforming to DIN EN 1253
 outlet: DN 50 vertical
 with: polymer concrete collar with
 steel mesh reinforcement
 sound absorbing and height
 adjustable levelling legs
 ABS raising piece
 laterally adjustable upper collar
 glassfibre mat reinforcement
 removable trap insert
 height adjustable grating Type
 material: polypropylene
 grate: 304 stainless steel, class K 3

Product No.	Description	Dimensions
495716	frame CK 10, 100 x 100 mm	95 x 95 mm
501011	grate E 90, 90 x 90 mm	90 x 90 mm

Product No.	Description	Dimensions
515025	fire and sound-insulating collar - installation kit 2, DN 50	