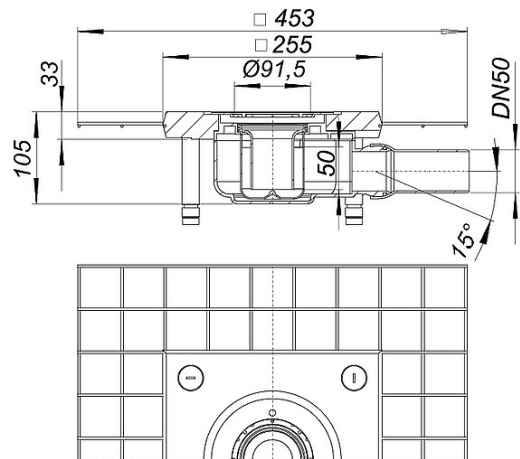


16. March 2012

floor drain body CeraDrain 48, DN 50

Product Number: **513205**
 EAN: 4001636513205
 Discount group: 5



Specification clause

conforming to DIN EN 1253
 outlet: DN 50 ball-joint adjustable
 0 - 15°
 with: polymer concrete collar with
 steel mesh reinforcement
 height adjustable levelling legs
 ABS raising piece
 laterally adjustable upper collar
 glassfibre mat reinforcement
 seal, spacer, removable trap
 insert
 Material: polypropylene

Product No.	Description	Dimensions
495402	frame V, S 10/100, 304	S 10/ 100
495426	frame V, S 10/120, 304	S 10/ 120
400413	grating Quadra CD 10/100, 100 x 100 mm	
400352	grating VC 10, 100 x 100 mm	100 x 100 mm
400468	grating VC, S 10/120, 120 x 120 mm	S 10/ 120 x 120 mm
400383	grating VE 10, 100 x 100 mm	100 x 100 mm
400376	grating VN 10, 100 x 100 mm	100 x 100 mm
400369	grating VS 10, 100 x 100 mm	100 x 100 mm