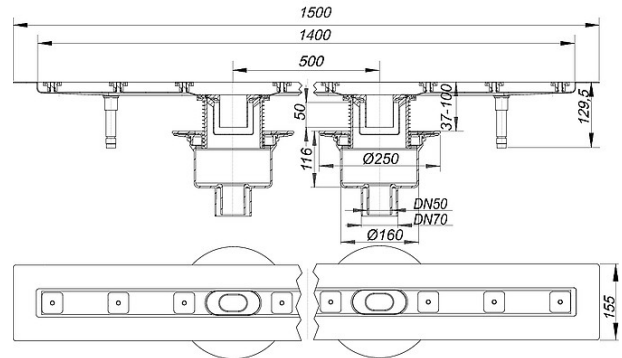


19. March 2012

floor channel CeraLine vertical 2 F 1400

Product Number: **521699**
 EAN: 4001636521699
 Discount group: 8



Specification clause

Linear drainage
 Connection: DN 50 vertical outlet
 with: Sound-insulated, height adjustable levelling legs
 Integral sand coated flange for secure bonding of under-tile waterproofing
 Drain body with removeable trap insert
 Height adjustable screws for levelling the cover-plate
 Temporary blanking plate
 Tiling gauges
 Edge trim jig
 Channel: 304 stainless steel
 Drain body: Polypropylene; with two floor drain bodies CIRCO V with 15 mm lateral adjustment

Product No.	Description	Dimensions
524294	cover plate CeraLine Design brushed finish 1400	1400 mm
526274	cover plate CeraLine Design brushed finish 1400, lockable	1400 mm
524379	cover plate CeraLine Individuell 1400	1400 mm
524218	cover plate CeraLine Standard 1400	1400 mm
526106	cover plate CeraLine Standard 1400, lockable	1400 mm

19. March 2012

521019	plug
520494	stainless steel polish