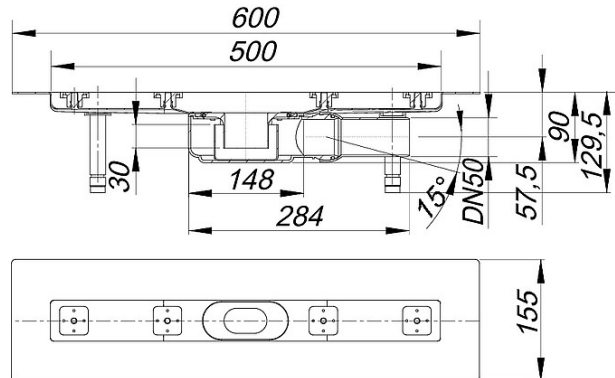


19. March 2012

## floor channel CeraLine Plan F 500

Product Number: **523013**  
 EAN: 4001636523013  
 Discount group: 8



### Specification clause

Linear drainage  
 outlet: DN 50 ball-joint adjustable  
 0 - 15  
 with: sound absorbing height  
 adjustable levelling legs,  
 integral sand coated flange for  
 secure bonding of under-tile  
 waterproofing, drain body with  
 removable trap insert, height  
 adjustable screws, temporary  
 blanking plate, tiling gauges,  
 edge trim jigs  
 material channel: 304 stainless steel  
 material trap: polypropylene,  
 with one floor drain body

| Product No. | Description  | Dimensions |
|-------------|--|------------|
| 520616      | cover plate CeraLine Design brushed finish 500           | 500 mm     |
| 526182      | cover plate CeraLine Design brushed finish 500, lockable | 500 mm     |
| 523815      | cover plate CeraLine Design matt black 500               | 500 mm     |
| 523716      | cover plate CeraLine Design polished 500                 | 500 mm     |
| 523419      | cover plate CeraLine Glass black 500                     | 500 mm     |
| 523211      | cover plate CeraLine Glass green 500                     | 500 mm     |
| 523310      | cover plate CeraLine Glass red 500                       | 500 mm     |
| 523518      | cover plate CeraLine Glass white 500                     | 500 mm     |

19. March 2012

---

|        |   |              |
|--------|---|--------------|
| 520715 | cover plate CeraLine Individuell 500            | 500 mm       |
| 520517 | cover plate CeraLine Standard 500               | 500 mm       |
| 526014 | cover plate CeraLine Standard 500, lockable     | 500 mm       |
| 523617 | cover plate CeraLine Teak 500                   | 500 mm       |
| 520913 | natural stone set                               |              |
| 521019 | plug  |              |
| 520869 | sound-insulating pad CeraLine, 500 x 250 x 8 mm | 500 x 250 mm |
| 520494 | stainless steel polish                          |              |