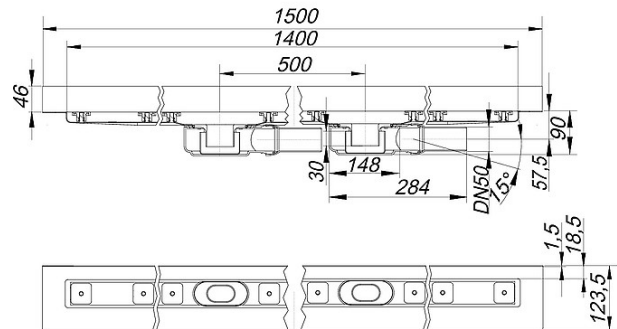


19. March 2012

floor channel CeraLine Plan 2 W 1400

Product Number: **524591**
 EAN: 4001636524591
 Discount group: 8



Specification clause

Linear drainage for installation at wall
 Connection: Side outlet, ball-joint adjustable
 0 - 15 , DN 50, BS 2 sw socket or
 HDPE 56 mm
 with: Sound-insulated, height
 adjustable levelling legs
 Sanded flange for secure bonding
 of undertile waterproofing
 Drain body with removeable trap
 insert
 Height adjustable pedestals for
 levelling the cover-plate
 Temporary blanking plate
 Tiling gauges
 Tile-trim jig
 Channel: 304 stainless steel
 Drain body: Polypropylene,
 with two floor drain bodies

Product No.	Description	Dimensions
524294	cover plate CeraLine Design brushed finish 1400	1400 mm
526274	cover plate CeraLine Design brushed finish 1400, lockable	1400 mm
524379	cover plate CeraLine Individuell 1400	1400 mm
524218	cover plate CeraLine Standard 1400	1400 mm
526106	cover plate CeraLine Standard 1400, lockable	1400 mm

19. March 2012

520913	natural stone set
521019	plug
520494	stainless steel polish