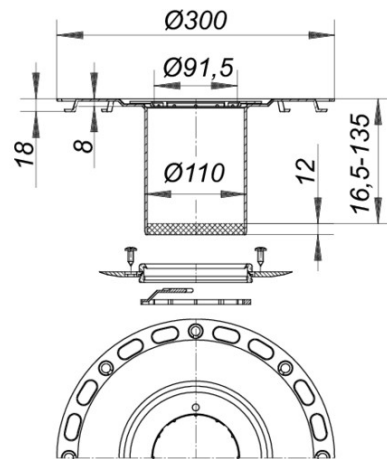
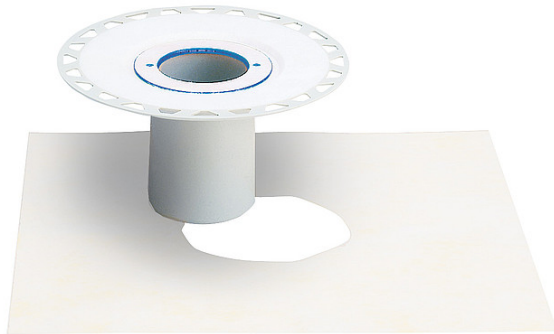


16. March 2012

collar TistoDrain S 10

Product Number: **513168**
 EAN: 4001636513168
 Discount group: 5



Specification clause

used with polypropylene floor drain bodies
 40, 42 and 46, balcony drain types 83 and 84
 with: ABS flange with fleece surface
 ABS spigot
 laterally adjustable upper collar
 Tisto membrane
 seal*
 spacer
 temporary blanking plate

Product No.	Description	Dimensions
832023	balcony drain body type 83 DallBit, DN 50	DN 50
832047	balcony drain body type 83 DallBit, DN 70	DN 70
830029	balcony drain body type 83, DN 50	DN 50
830043	balcony drain body type 83, DN 70	DN 70
832160	balcony drain body type 84 DallBit, DN 100	DN 100
832122	balcony drain body type 84 DallBit, DN 50	DN 50
832146	balcony drain body type 84 DallBit, DN 70	DN 70
831064	balcony drain body type 84, DN 100	DN 100
831026	balcony drain body type 84, DN 50	DN 50
831040	balcony drain body type 84, DN 70	DN 70
405227	floor drain body type 40 DallBit, DN 50	DN 50
405135	floor drain body type 40 PE	DN 50 / OD 50

16. March 2012

405128	floor drain body type 40 S	DN 50
422026	floor drain body type 42 DallBit	DN 50
420022	floor drain body type 42 S	DN 50
421722	floor drain body type 42/3	DN 50
422729	floor drain body type 42/3 DallBit	DN 50
462053	floor drain body type 46 DallBit	DN 50
460059	floor drain body type 46 S	DN 50
495402	frame V, S 10/100, 304	S 10/ 100
495495	frame V, S 10/100, 316Ti	100 x 100 mm
495426	frame V, S 10/120, 304	S 10/ 120
495440	frame V, S 10/120, 316Ti	120 x 120 mm
400413	grating Quadra CD 10/100, 100 x 100 mm	
400352	grating VC 10, 100 x 100 mm	100 x 100 mm
400468	grating VC, S 10/120, 120 x 120 mm	S 10/ 120 x 120 mm
400383	grating VE 10, 100 x 100 mm	100 x 100 mm
400376	grating VN 10, 100 x 100 mm	100 x 100 mm
400369	grating VS 10, 100 x 100 mm	100 x 100 mm